

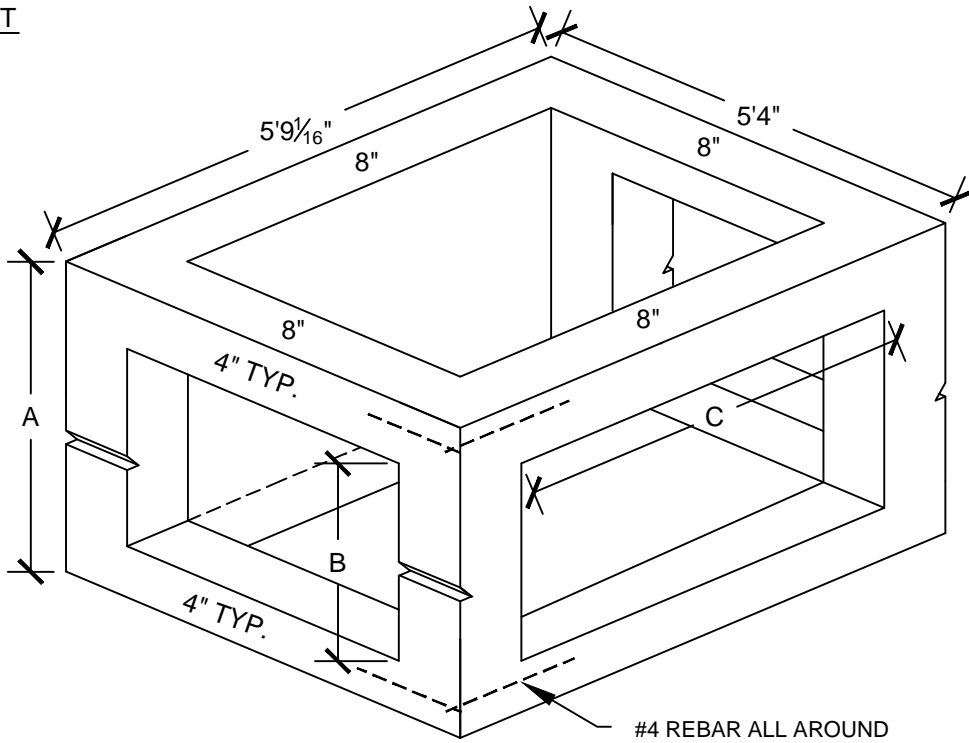
02/16/16	XXX	REV	DATE	DES	REV	DESC	MF	WHR	MW
						REVISION DESCRIPTION	CADD	CHK	RW

TYPE I RISER

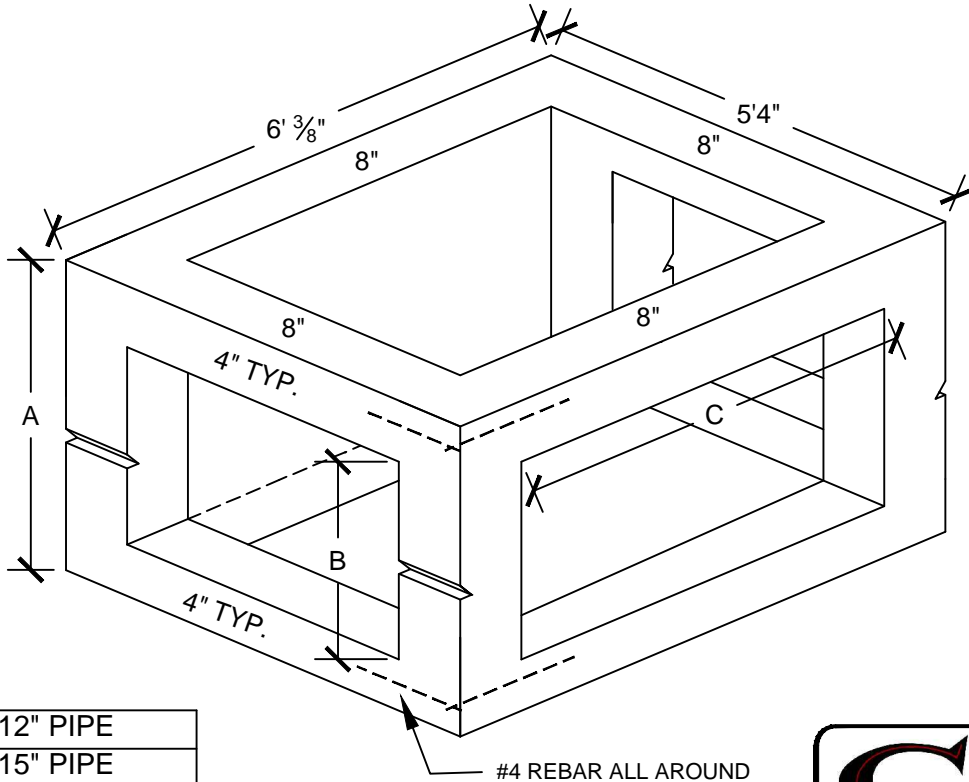
KNOCK OUT TO SUIT

(24", 30", 36" & 42")

C



CL



A	24"	B	24"	12" PIPE
A	30"	B	28"	15" PIPE
A	36"	B	28"	18" PIPE
A	42"	B	34"	24" PIPE
C	46" KO'S WHEN REQ'D			
SOLID				
A	12"-18"-24"-30"-36"			

CROMWELL CONCRETE PRODUCTS INC.
 667 Main Street Cromwell CT 06416
 (P) 860.635.5146 (F) 860.635.7469

PROJECT			
TITLE			
TYPE I RISER			
DESIGN	BGR	02/16/16	FILE No.
CADD	MF	02/16/16	SCALE AS SHOWN
REVIEW	MW	02/16/16	REV. 0
PROJECT No.			
DWG: T1 RISER			

**CLASS "FSC" SELF-CONSOLIDATING CONCRETE
 4,000 PSI**