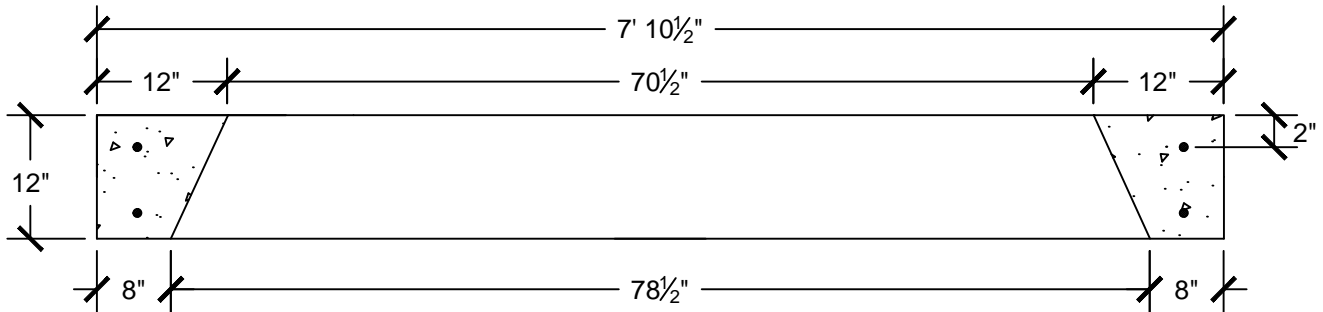
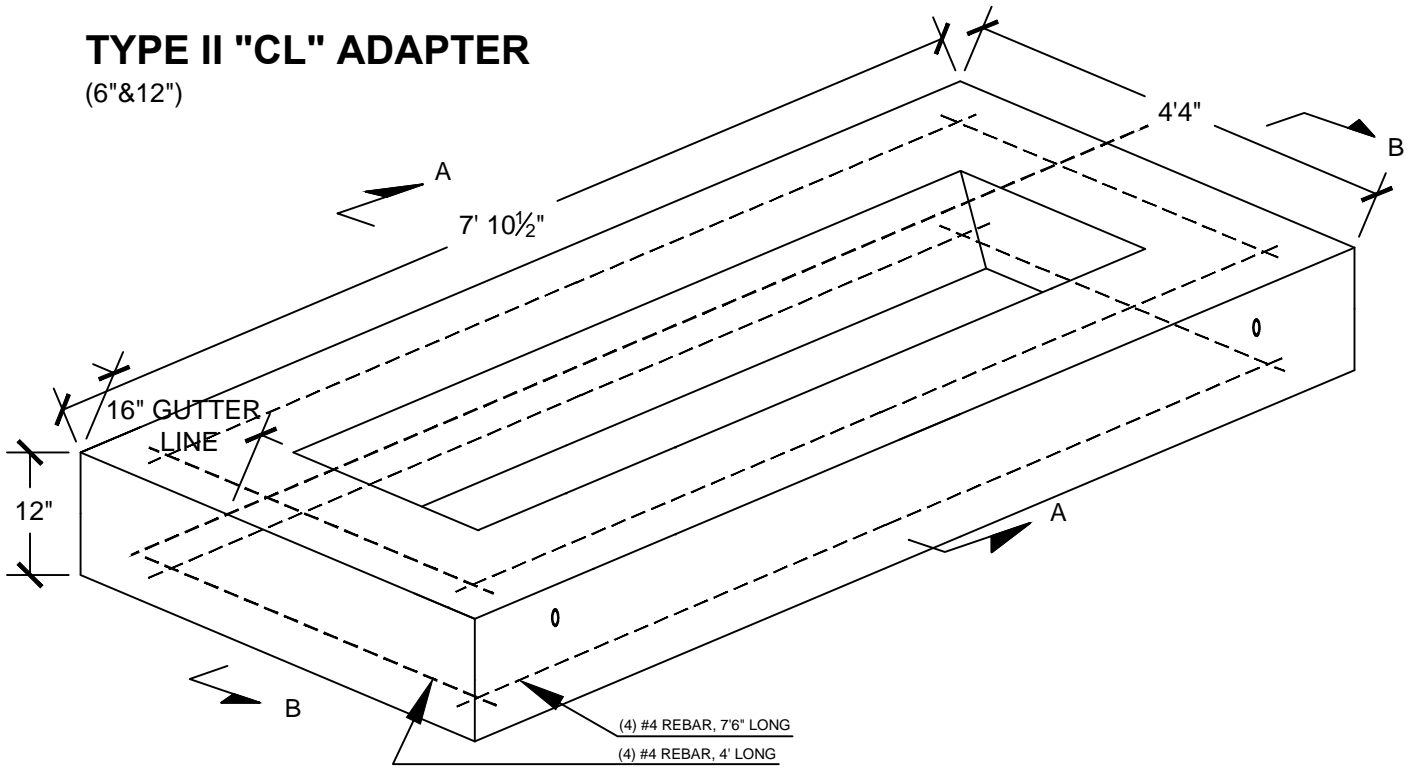


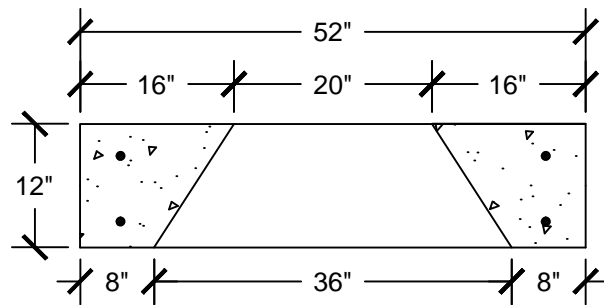
01/19/16	XXX	REV_DESC	MF	WHR	MW
REV	DATE	DES	CADD	CHK	RW
REVISION DESCRIPTION					

# TYPE II "CL" ADAPTER

(6" & 12")



SECTION B-B



SECTION A-A

**CLASS "FSC" SELF-CONSOLIDATING CONCRETE  
4,000 PSI**



PROJECT				
TITLE <b>TYPE II "CL" ADAPTER</b>				
DESIGN	BGR	01/19/16	FILE No.	
CADD	MF	01/19/16	SCALE	AS SHOWN
REVIEW	MW	01/19/16	REV.	0
PROJECT No.				

**DWG: T2 ADAPTER "CL"**