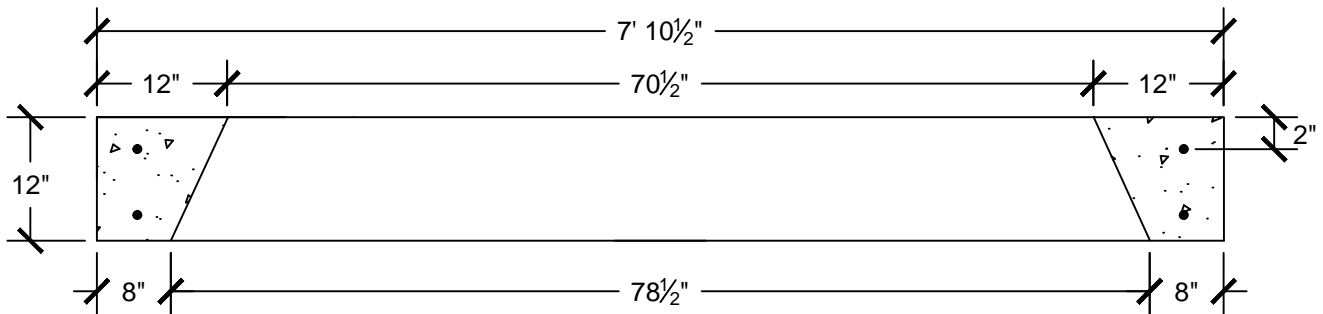
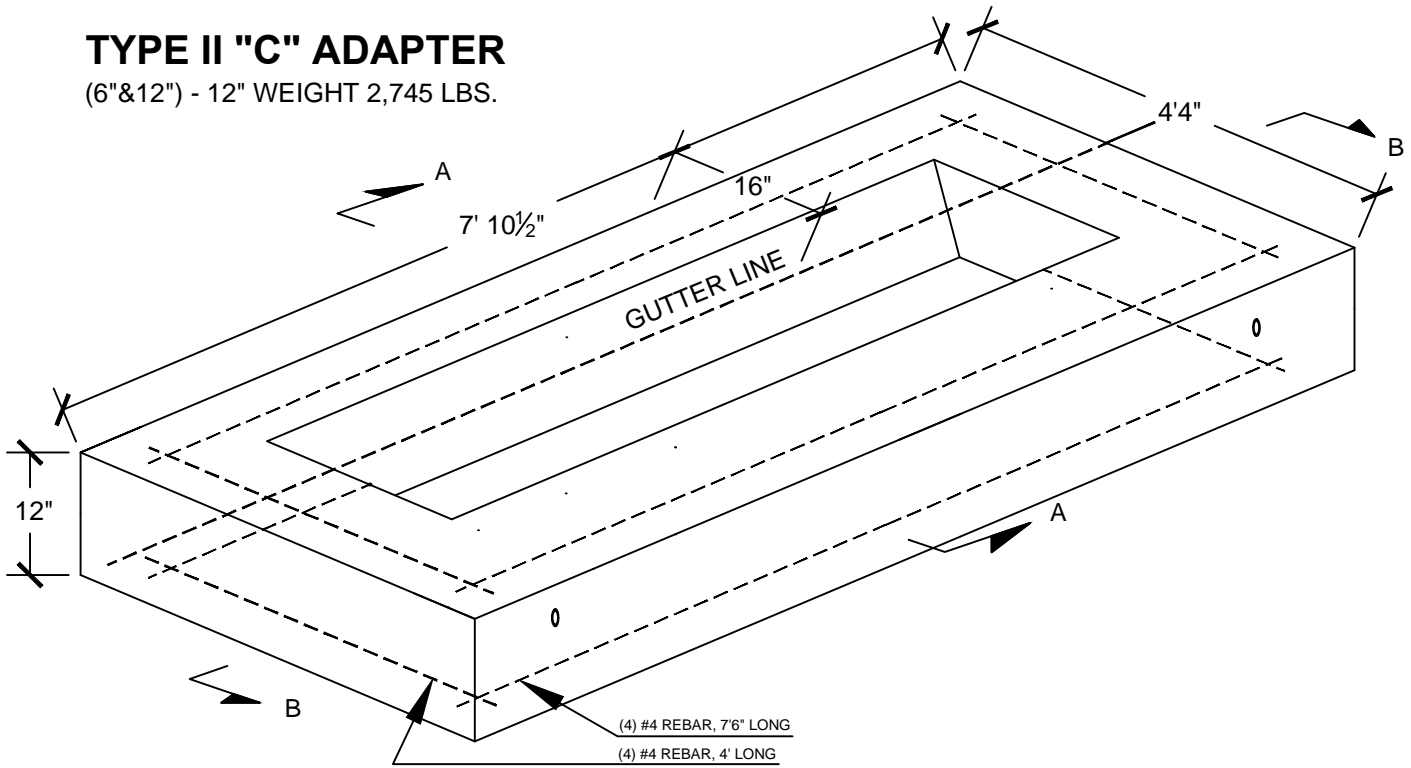


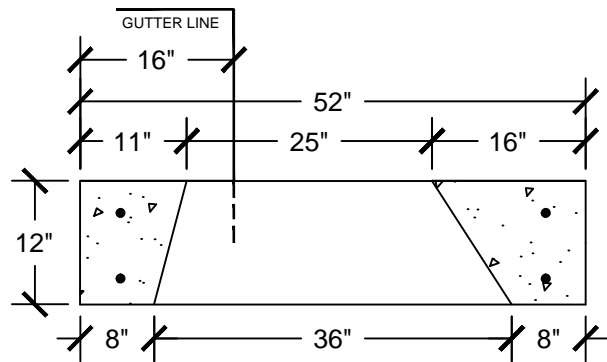
01/19/16	XXX		REV_DESC	MF	WHR	MW
REV	DATE	DES	REVISION DESCRIPTION	CADD	CHK	RW

# TYPE II "C" ADAPTER

(6" & 12") - 12" WEIGHT 2,745 LBS.



SECTION B-B



SECTION A-A

**CLASS "FSC" SELF-CONSOLIDATING CONCRETE  
4,000 PSI**



PROJECT

TITLE

**TYPE II "C" ADAPTER**

DESIGN	BGR	01/19/16	FILE No.
CADD	MF	01/19/16	SCALE AS SHOWN
REVIEW	MW	01/19/16	REV. 0
PROJECT No.			

**DWG: T2 ADAPTER "C"**