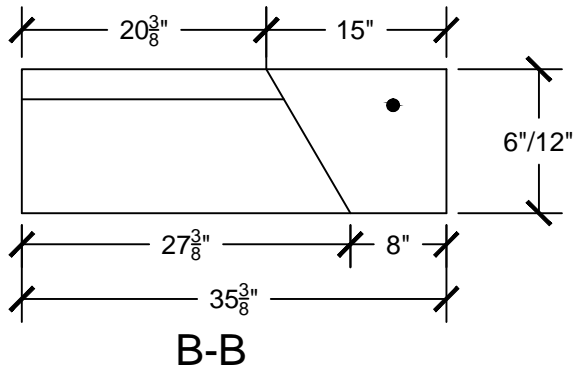
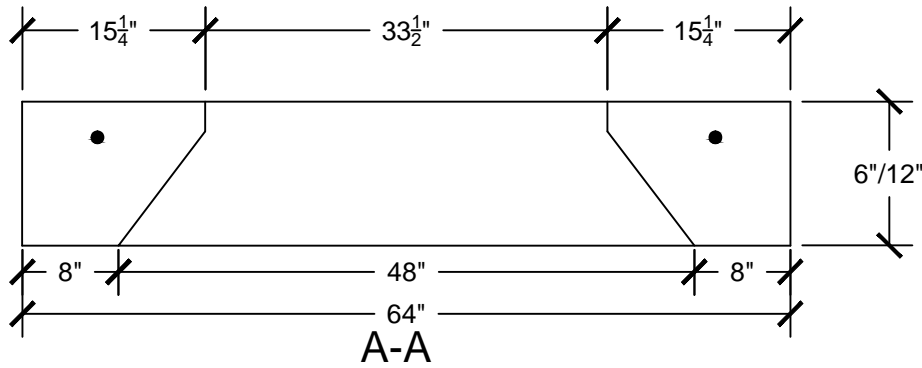
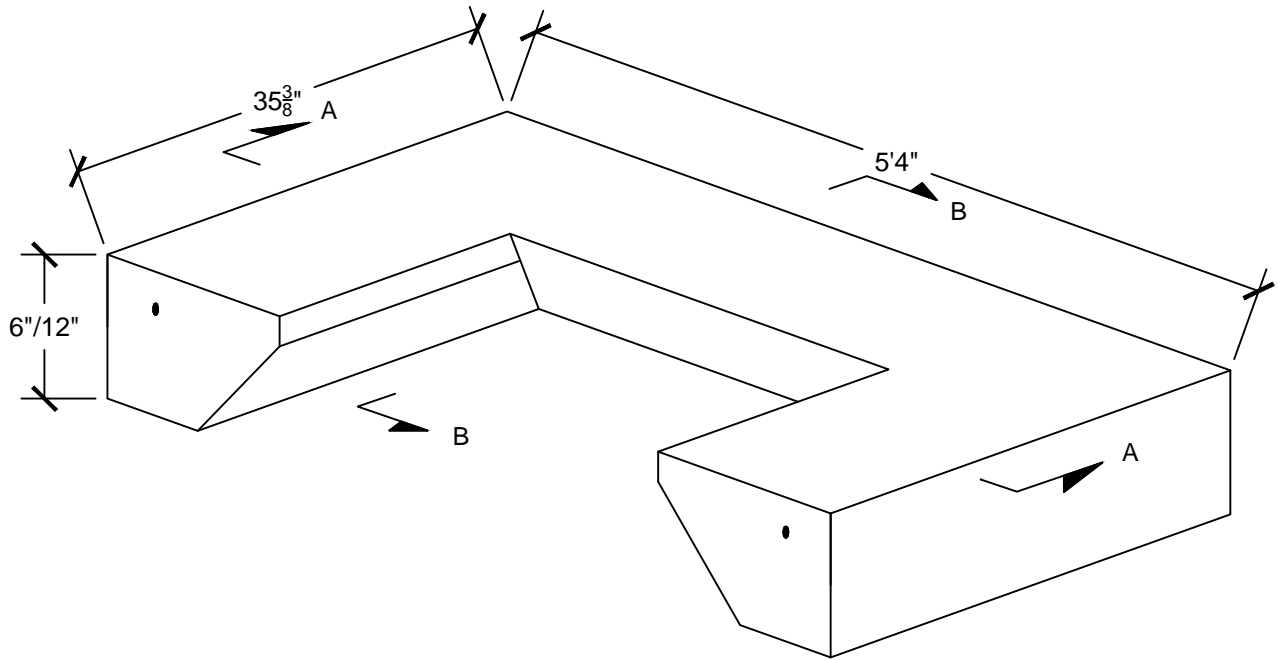



△	11/18/13	XXX	REV_DESC	LJH	WHR	JML
REV	DATE	DES	REVISION DESCRIPTION	CADD	CHK	RW

CMC ADAPTER (6" & 12")



**CLASS "FSC" SELF-CONSOLIDATING CONCRETE
4,000 PSI**



**CROMWELL
CONCRETE
PRODUCTS INC.**
667 Main Street Cromwell CT 06416
(P) 860.635.5146 (F) 860.635.7469

PROJECT			
TITLE			
CMC ADAPTER			
DESIGN	BGR	01/23/14	FILE No.
CADD	PJK	06/02/14	SCALE AS SHOWN
REVIEW	MF	12/31/15	REV. 0
PROJECT No.			
DRAWING: CMC ADAPTER			