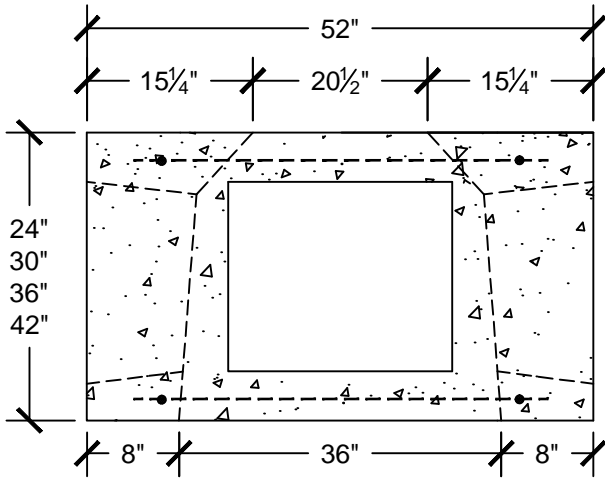
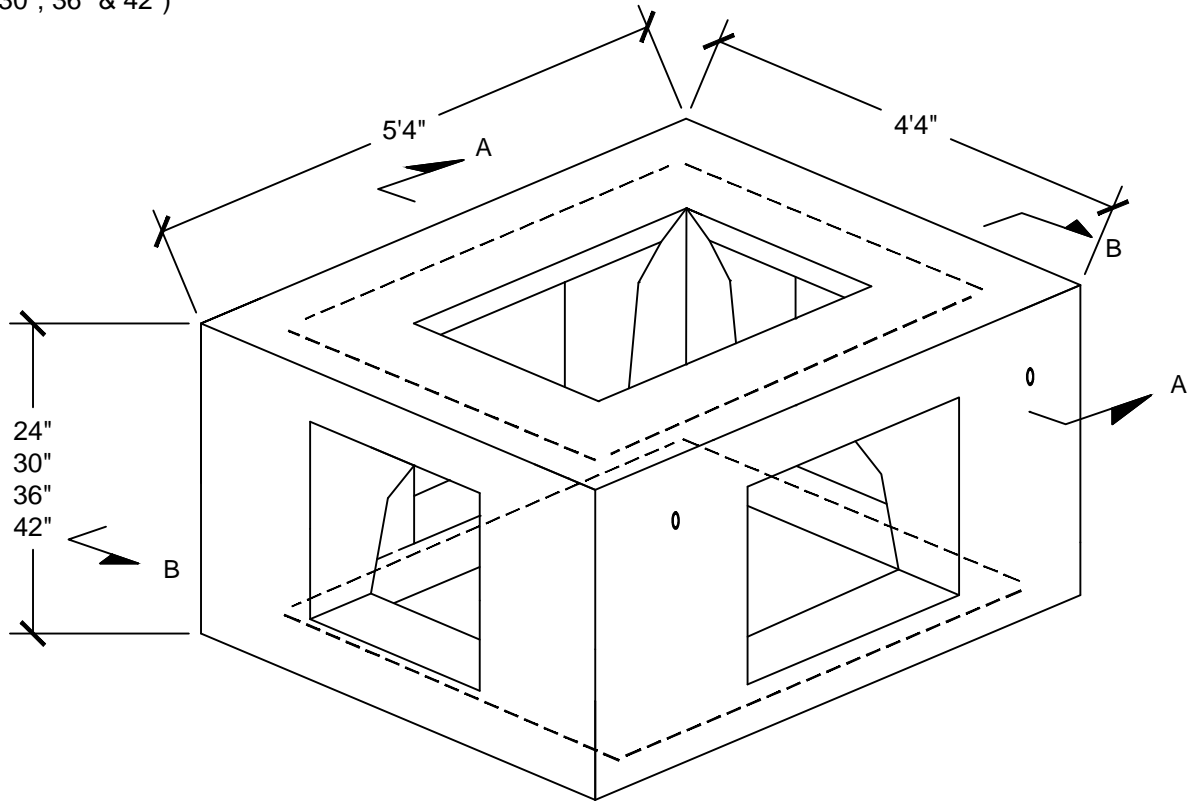


01/1116	XXX	REV_DESC	MF	WHR	MW
REV	DATE	DES	CADD	CHK	RW
REVISION DESCRIPTION					

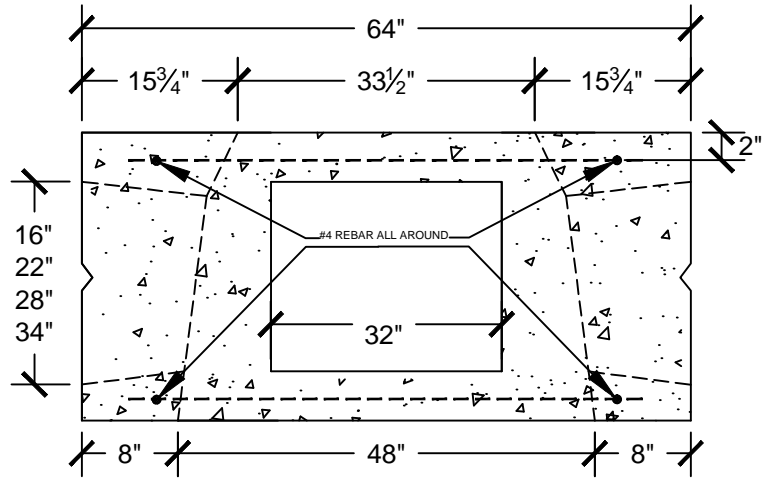
RISER ADAPTER "CL"

VARIOUS SIZE KNOCK OUTS

(24", 30", 36" & 42")



SECTION A-A



SECTION B-B

NOTE:

- A = 24" R/A 16"x 24" KNOCK OUTS
- B = 30" R/A 24"x 28" KNOCK OUTS
- C = 36" R/A 28"x 28" KNOCK OUTS
- D = 24" R/A 34"x 34" KNOCK OUTS

**CLASS "FSC" SELF-CONSOLIDATING CONCRETE
4,000 PSI**

PROJECT			
TITLE RISER ADAPTER "CL"			
DESIGN	BGR	01/11/16	FILE No.
CADD	MF	01/11/16	SCALE AS SHOWN
REVIEW	MW	01/11/16	REV. 0
PROJECT No.			
DWG: RISER ADAPTER "CL"			