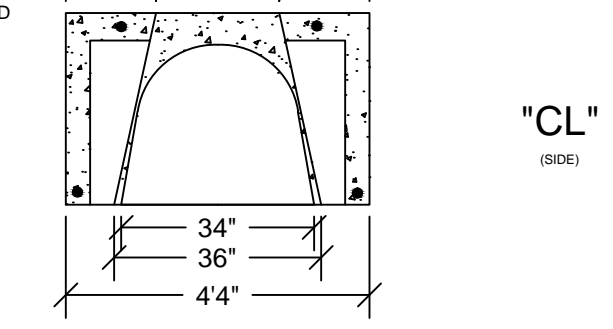
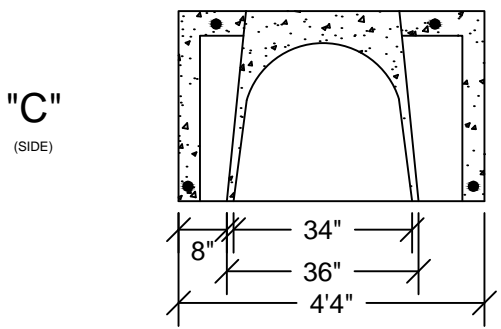
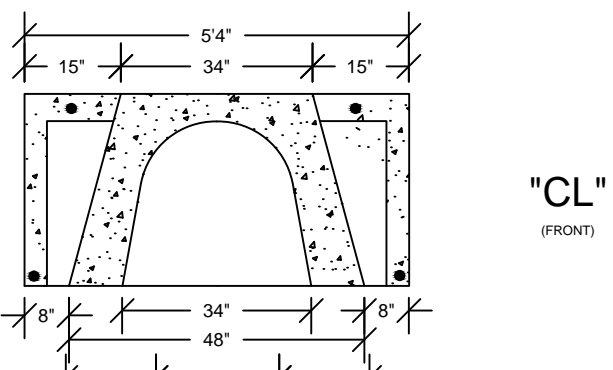
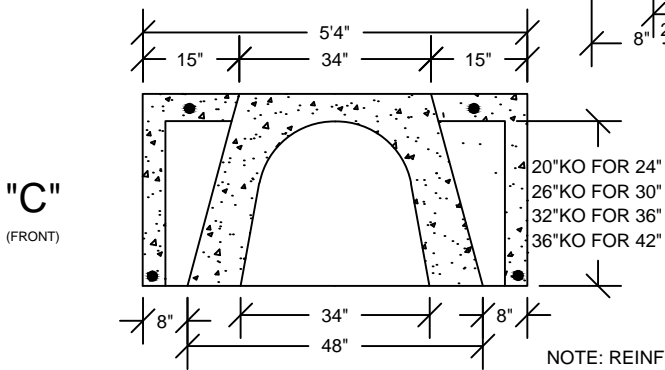
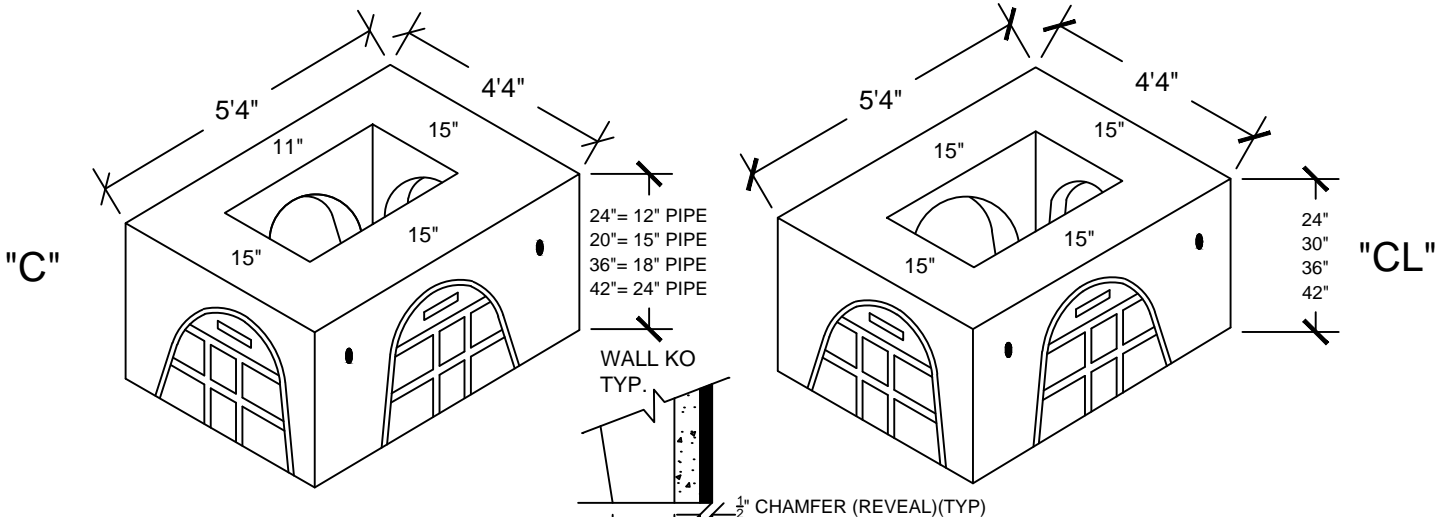


12/02/15	XXX	REV_DESC	LJH	MF	JML
REV	DATE	DES	CADD	CHK	RW
REVISION DESCRIPTION					


TYPE C & CL RISER ADAPTER



NOTE: REINF. #4 ROD ALL AROUND TOP & BOTTOM AND DOWN ALL 4 CORNERS

- 24" = 3705 LBS
- 30" = 4343 LBS
- 36" = 5077 LBS
- 42" = 5498 LBS

- 24" = 3705 LBS
- 30" = 4343 LBS
- 36" = 5077 LBS
- 42" = 5498 LBS



CROMWELL CONCRETE PRODUCTS INC.
 667 Main Street Cromwell CT 06416
 (P) 860.633.5146 (F) 860.633.7469

PROJECT

TITLE
TYPE C AND CL RISER ADAPTER

DESIGN	BGR	01/23/14	FILE No.
CADD	PJK	06/02/14	SCALE AS SHOWN
REVIEW	MF	12/02/15	REV. 0
PROJECT No.			

DRAWING: TYPE C & CL R/A

**CLASS "FSC" SELF-CONSOLIDATING CONCRETE
 4,000 PSI**