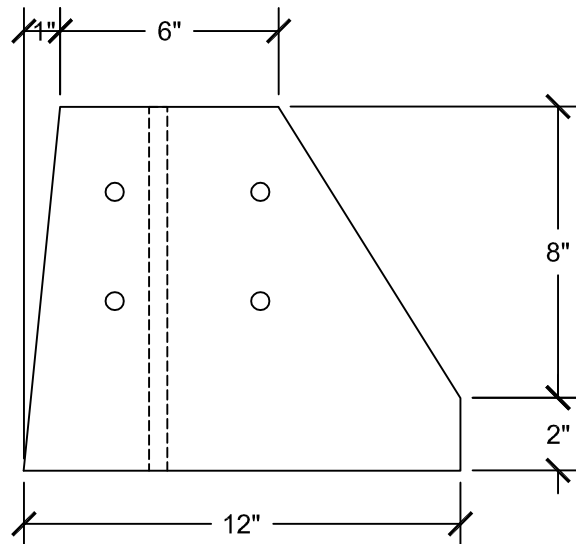
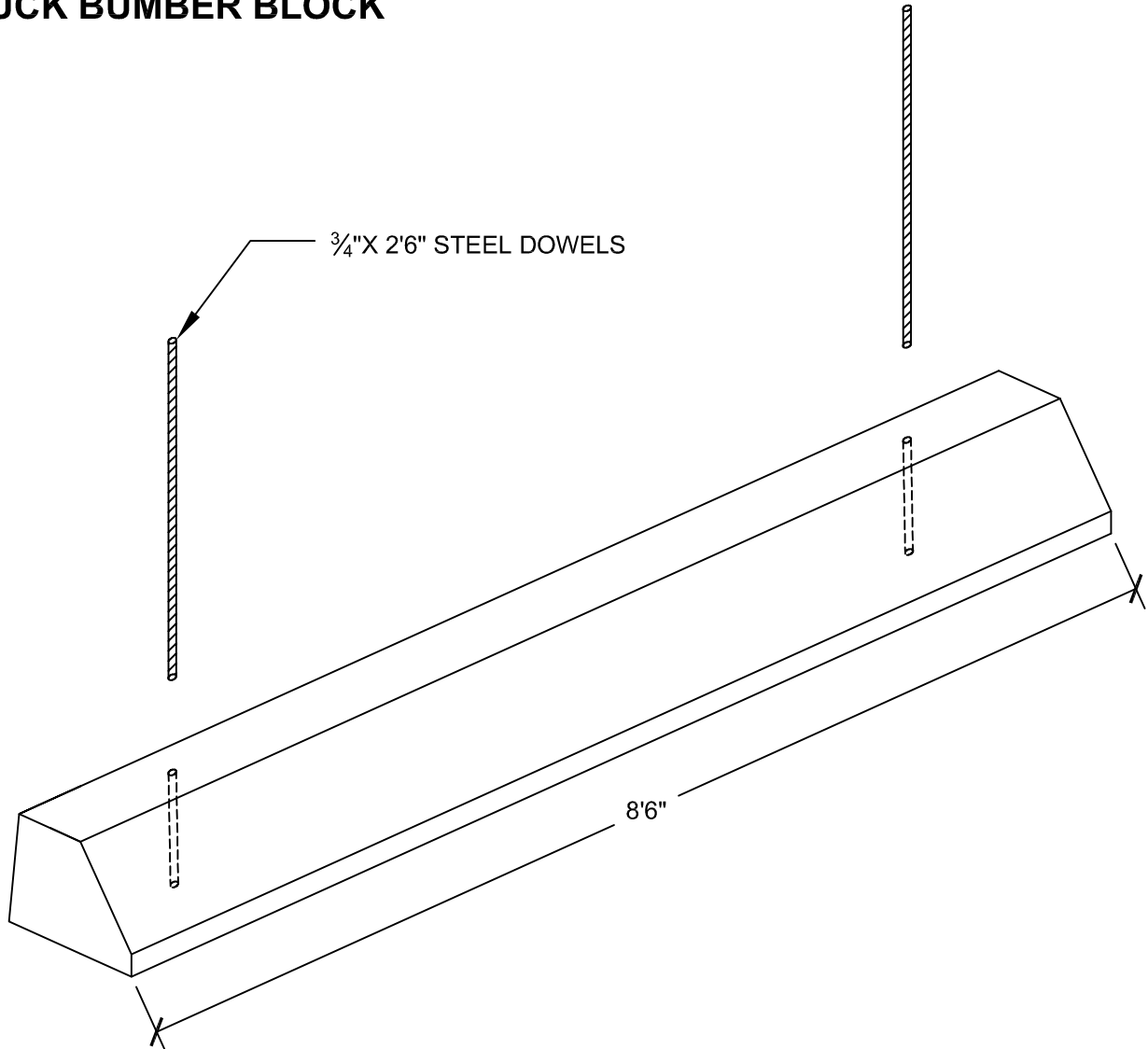



△	11/18/13	XXX	REV_DESC	LJH	WHR	JML
REV	DATE	DES	REVISION DESCRIPTION	CADD	CHK	RVW

TRUCK BUMPER BLOCK



**CLASS "F" SELF-CONSOLIDATING CONCRETE
4,000 PSI**



**CROMWELL
CONCRETE
PRODUCTS INC.**
667 Main Street Cromwell CT 06416
(P) 860.635.5146 (F) 860.635.7469

PROJECT

TITLE
TRUCK BUMPER BLOCK

DESIGN	BGR	01/23/14	FILE No.
CADD	PJK	06/2/2014	SCALE AS SHOWN
REVIEW			REV. 0
PROJECT No.			

DRAWING: TRUCK BUMPER BLOCK