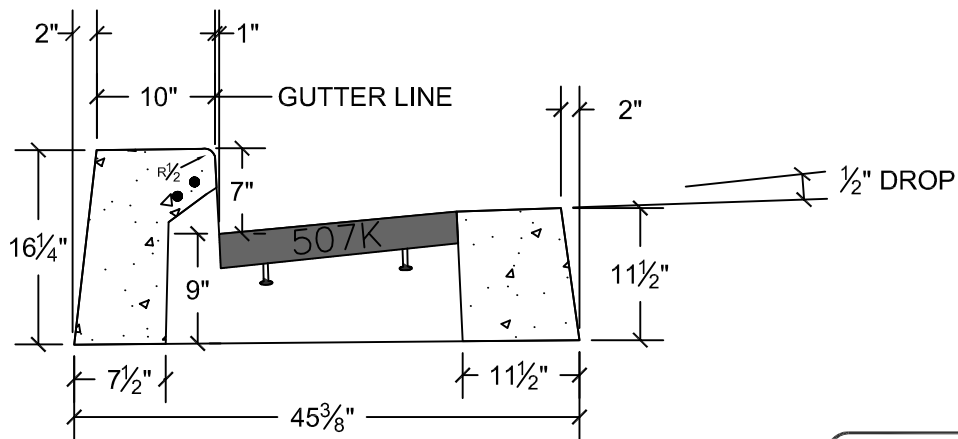
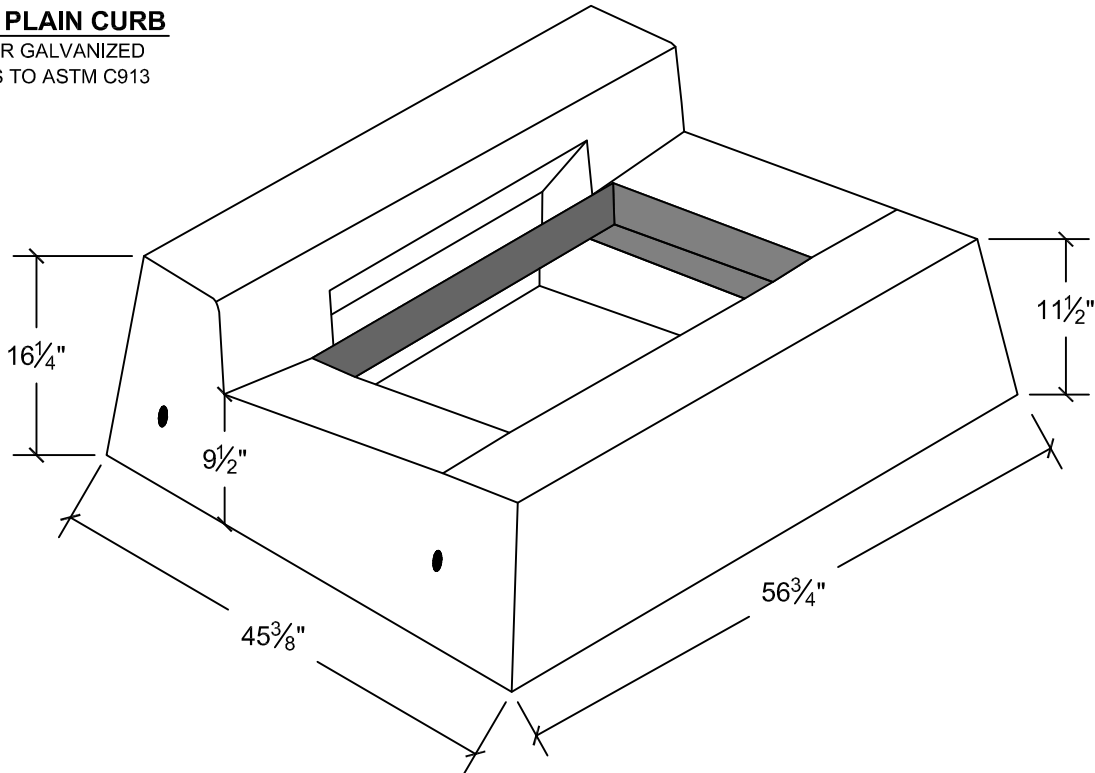


11/18/13	XXX	REV_DESC	LJH	WHR	JML
REV	DATE	DES	REVISION DESCRIPTION	CADD	CHK

TYPE "C" PLAIN CURB

PAINTED OR GALVANIZED
CONFORMS TO ASTM C913



**CLASS "F" SELF-CONSOLIDATING CONCRETE
4,000 PSI**



PROJECT	CLIENT NAME PROJECT INFO		
TITLE	"C" PLAIN TOP		
DESIGN	BGR	11/18/13	FILE N60P C PLAIN
CADD	LJH	11/18/13	SCALE AS SHOWN
REVIEW			REV. 0
PROJECT No.			

DRAWING: