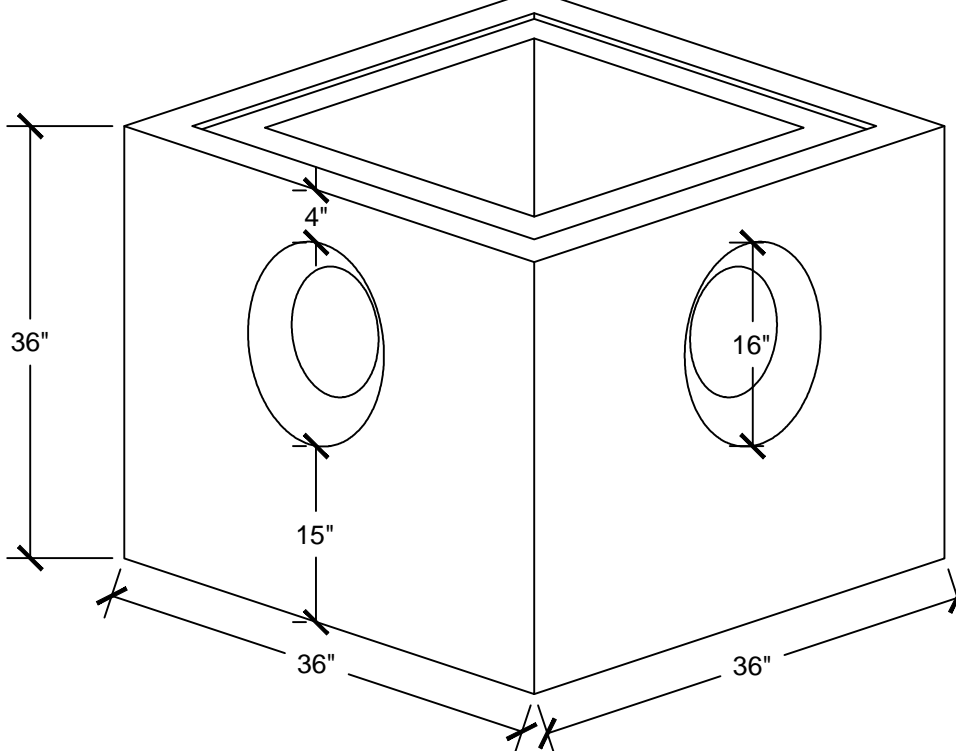
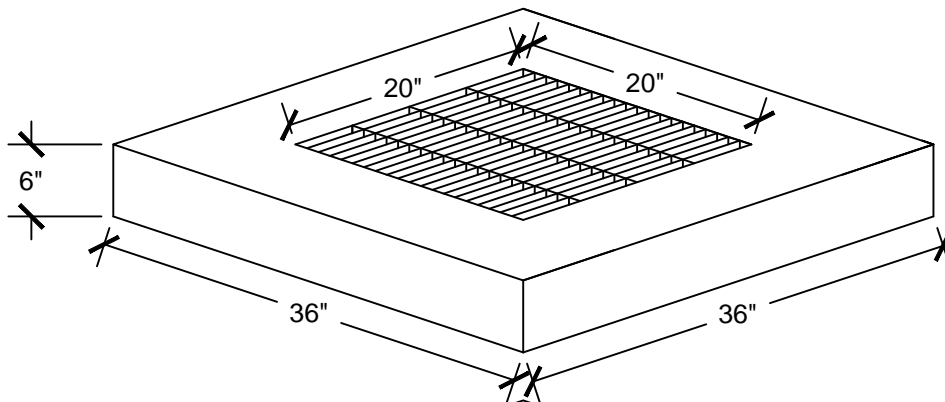
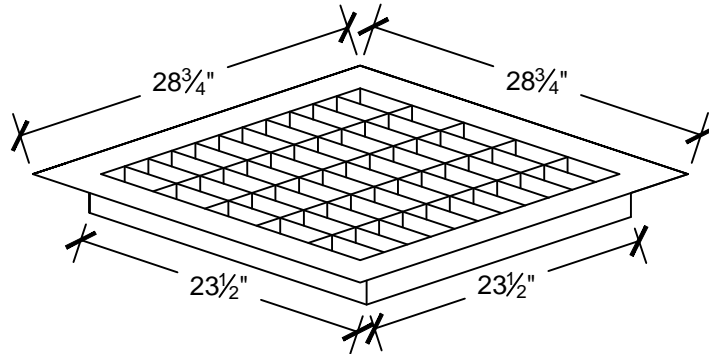



△	11/18/13	XXX	REV_DESC	LJH	WHR	JML
REV	DATE	DES	REVISION DESCRIPTION	CADD	CHK	RW

36" YARD DRAIN

WITH FLOOR - HOLDS UP TO 12" PIPE
CONFORMS TO ASTM C913



**CLASS "FSC" SELF-CONSOLIDATING CONCRETE
4,000 PSI**



**CROMWELL
CONCRETE
PRODUCTS INC.**

PROJECT

TITLE

36" YARD DRAIN

DESIGN	BGR	01/23/14	FILE No.
CADD	PJK	06/02/14	SCALE AS SHOWN
REVIEW	MF	12/21/15	REV. 0
PROJECT No.			

DRAWING: 36" YARD DRAIN