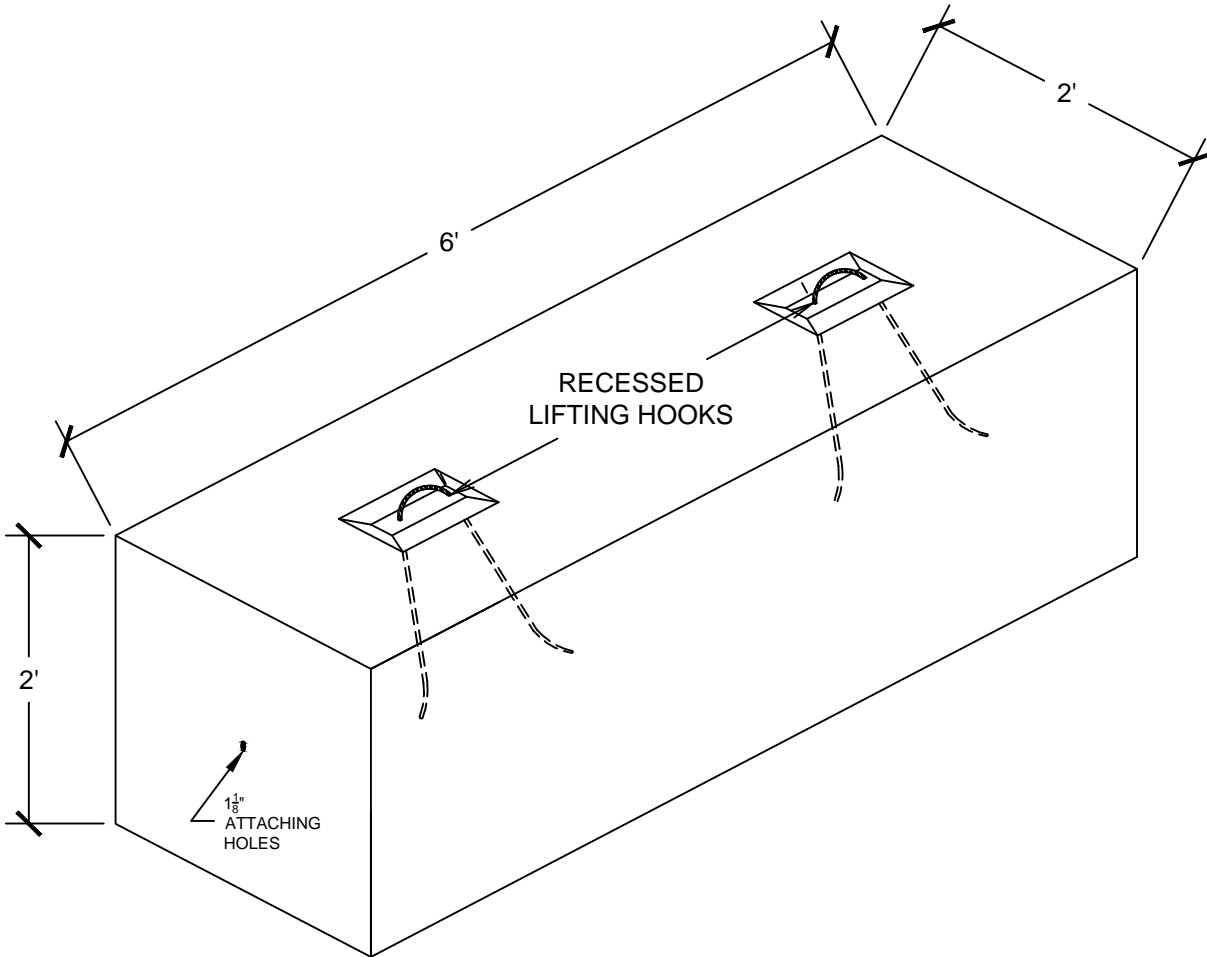



△	11/18/15	XXX	REV_DESC	LJH	MF	JML
REV	DATE	DES	REVISION DESCRIPTION	CADD	CHK	RW

**6' BARRIER BLOCK**  
WEIGHT: 3600 LBS.



**CLASS "FSC" SELF-CONSOLIDATING CONCRETE**  
**4,000 PSI (D.O.T. SPECIFICATION)**

					
PROJECT					
TITLE					
<b>BARRIER BLOCK 6'</b>					
DESIGN	BGR	01/23/14	FILE No.		
CADD	PJK	01/23/14	SCALE	AS SHOWN	
REVIEW	MF	11/18/15	REV.	0	
PROJECT No.					
<b>DRAWING: BARRIER BLOCK 6'</b>					