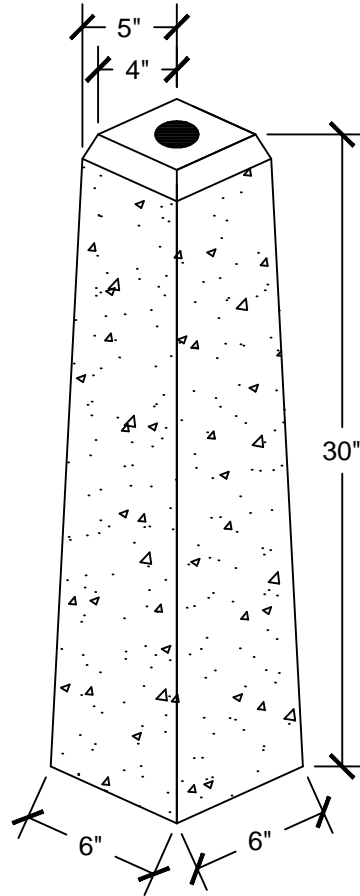
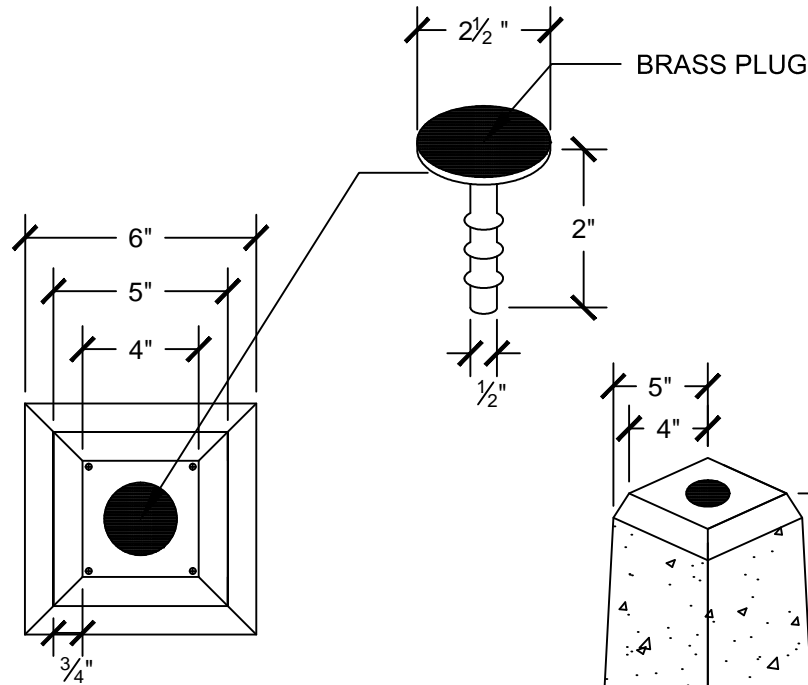
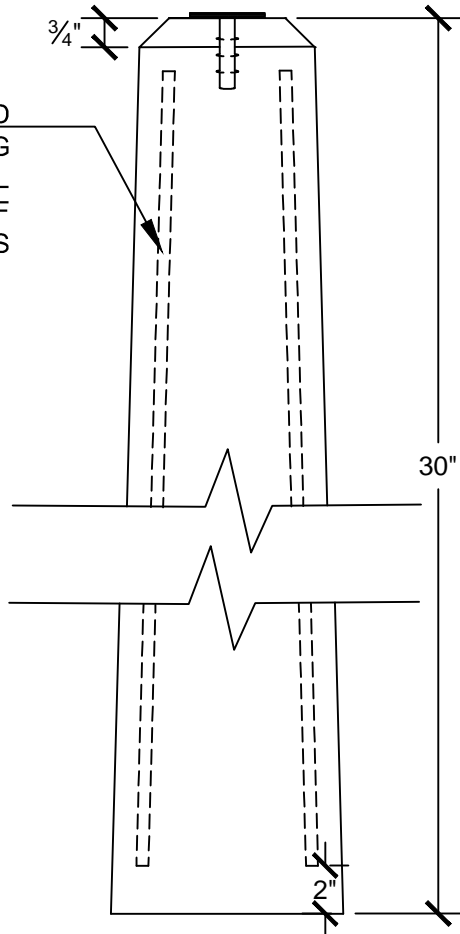


03/15/16	XXX	REV_DESC	MF	WHR	JML
REV	DATE	DES	CADD	CHK	RW
REVISION DESCRIPTION					

30" MERESTONE W/ DISC



(4) #3 DEFORMED BARS, 3'8" LONG PLACED PARALLEL WITH SIDES OF MONUMENTS



**CLASS "FSC" CONCRETE
4,000 PSI**



PROJECT					
TITLE 30" MERESTONE W/ DISC					
DESIGN	BGR	03/15/16	FILE No.		
CADD	MF	03/15/16	SCALE	AS SHOWN	
REVIEW	MW	03/15/16	REV.	1	MF
PROJECT No.					

DRAWING: 30" MERESTONE