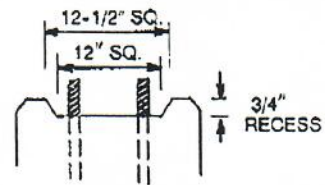
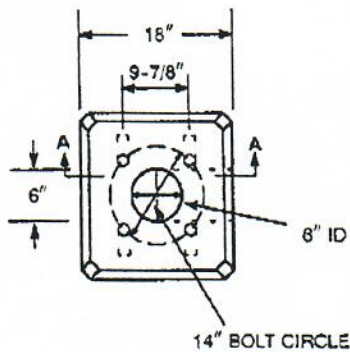


Cromwell Concrete Products, Inc.

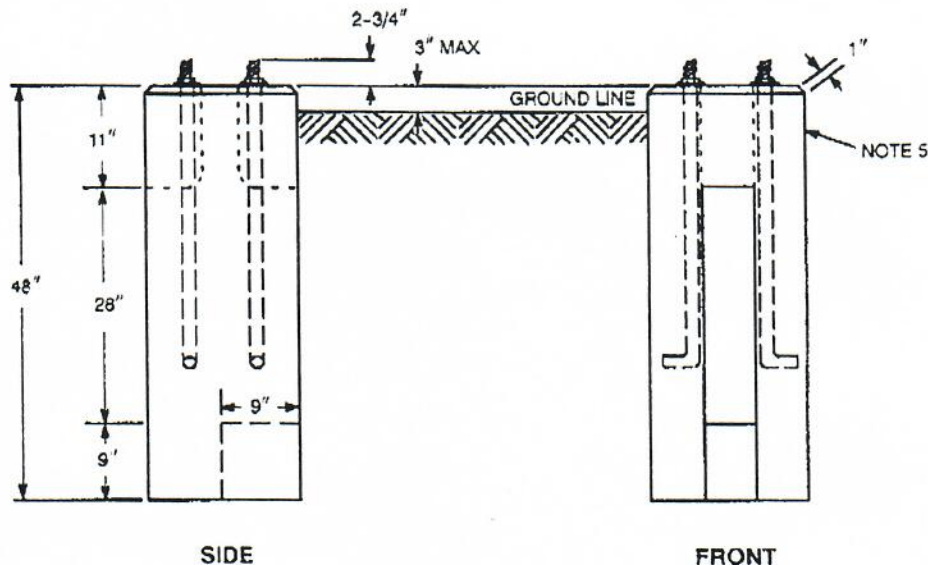
667 MAIN ST. • P.O. BOX 99 • CROMWELL, CT 06416
 (860) 529-3417 • (860) 635-5146
 FAX (860) 635-7469

Notes

1. Concrete and concrete design shall be in accordance with ACI 318-1986.
2. Final 28 day concrete strength to be 5000 psi.
3. Anchor bolts to be steel per ASTM A36-1987E1, 3/4" X 24" w/3" leg, rolled threads preferred, 4" thread, w/galvanized hex nut and round flat galvanized washer. Threaded end to be galvanized a minimum of 6".
4. The 6-inch handhole at center of bolt circle projects into a 6-inch wide slot 28 inches high through the base.
5. Manufacturer's identification and month/year when manufactured shall be legibly marked in/on concrete within 3 inches of the top.
6. NUSCO SC 0417384 shall be written on side of base with an indelible marker.



SECTION A-A



SIDE

FRONT

ORIGINAL	BASE - DECORATIVE LIGHT POLE			
APPROVED				PRECAST CONCRETE - STANDARD - 14" BOLT CIRCLE
	NORTHEAST UTILITIES	MATERIAL SPECIFICATION	NU 2315	1

B-157