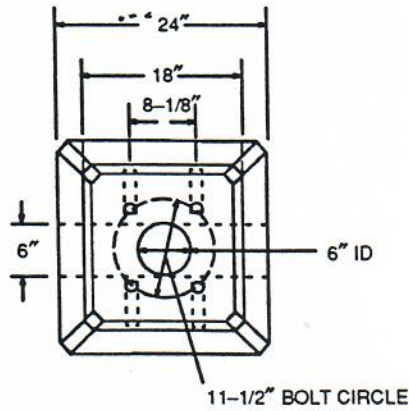


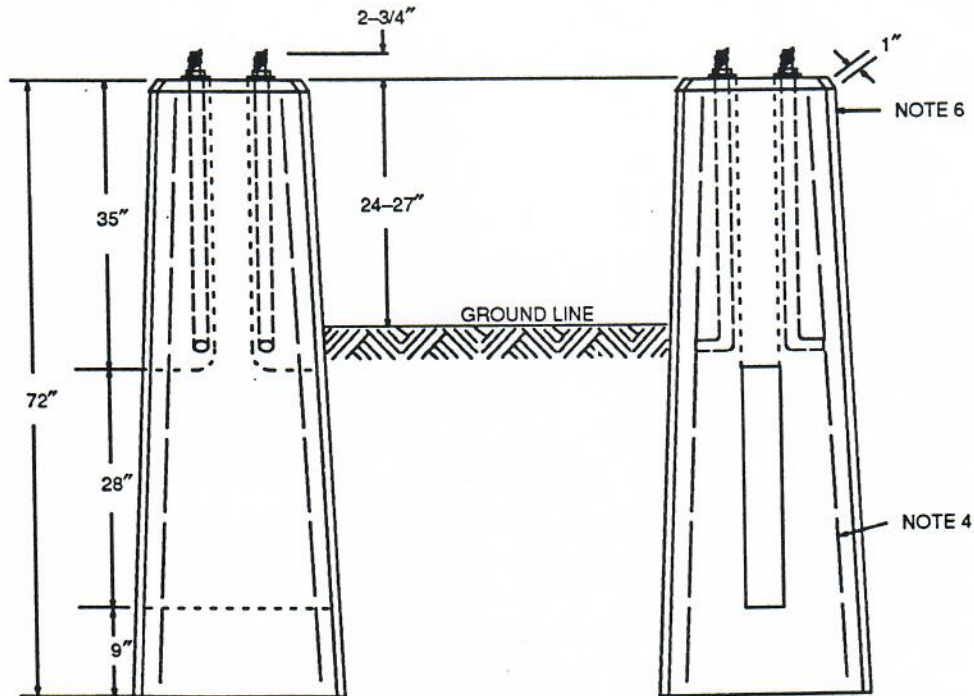
# Cromwell Concrete Products, Inc.

667 MAIN ST. • P.O. BOX 99 • CROMWELL, CT 06416  
 (860) 529-3417 • (860) 635-5146  
 FAX (860) 635-7469



## NOTES

1. The 6" handhole at center of bolt circle projects into a 6" wide slot 28" high thru the base.
2. Final 28 day concrete strength to be 500 psi.
3. Fabricator to obtain 1" x 33" anchor bolts, SC010050 from company stock.
4. Install four 66" #6 reinforcing bars 3" from corners, top and bottom.
5. Concrete and concrete design shall be in accordance with ACI Code 318-1986.
6. Manufacturer's identification and month/year when manufactured shall be legibly marked in/on concrete within 3" of the top.



ORIGINAL	<b>BASE - STREET LIGHT - PRECAST CONCRETE - EXTENDED</b>			
3/13/75				
APPROVED	NORTHEAST UTILITIES	MATERIAL SPECIFICATION	SPC B-160	5
6/1/91				
F. Stevens				