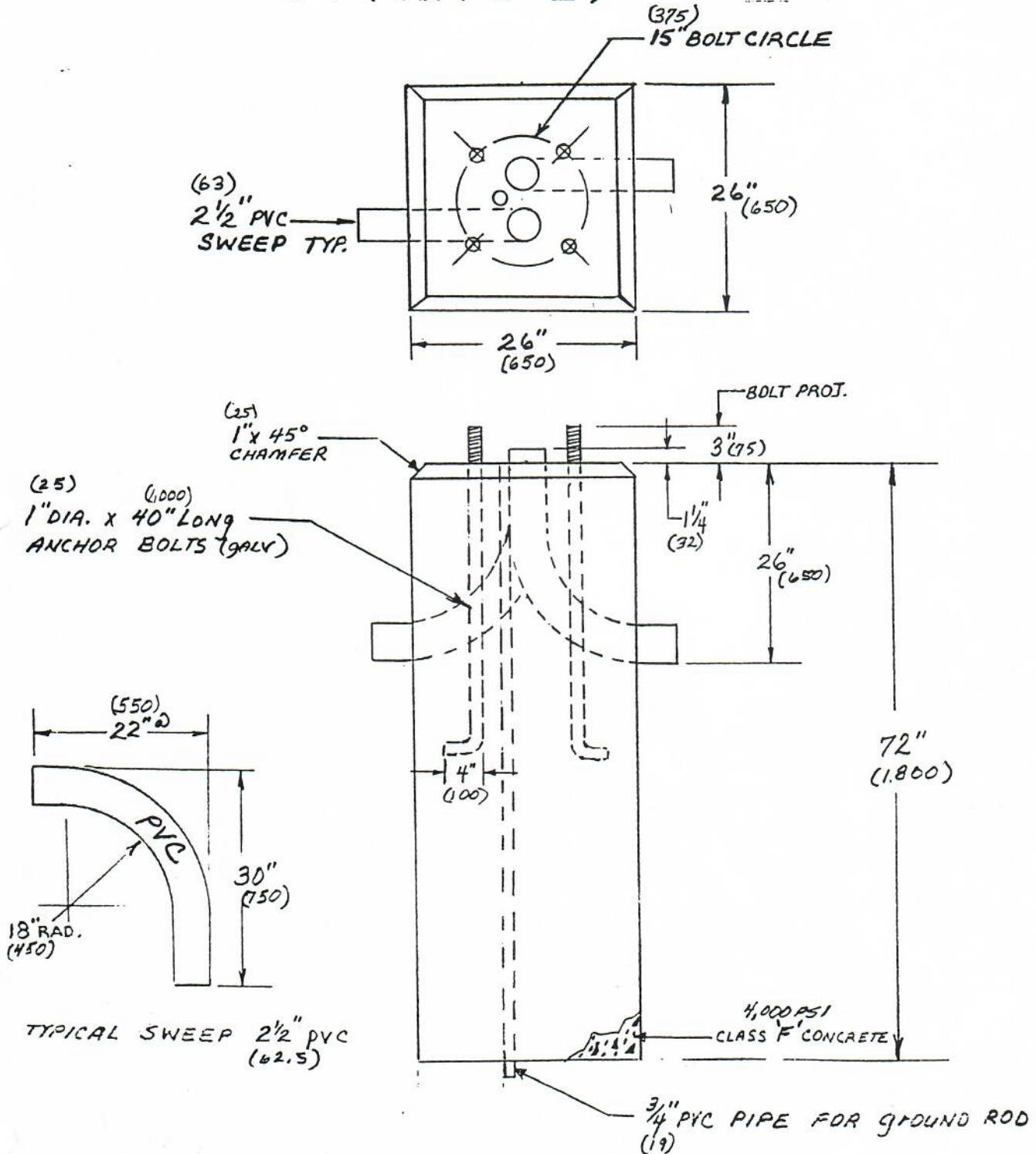


# Cromwell Concrete Products, Inc.

667 MAIN ST. • P.O. BOX 99 • CROMWELL, CT 06416  
(860) 529-3417 • (860) 635-5146  
FAX (860) 635-7469

## LIGHT STANDARD FOUNDATION 6 FT. (TYPE I)



WGT. 4,225 Lbs. 6 FT.

8 FT. 5,633 Lbs.