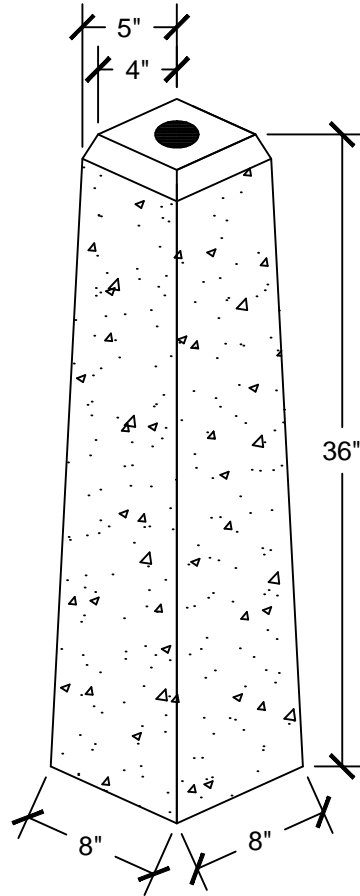
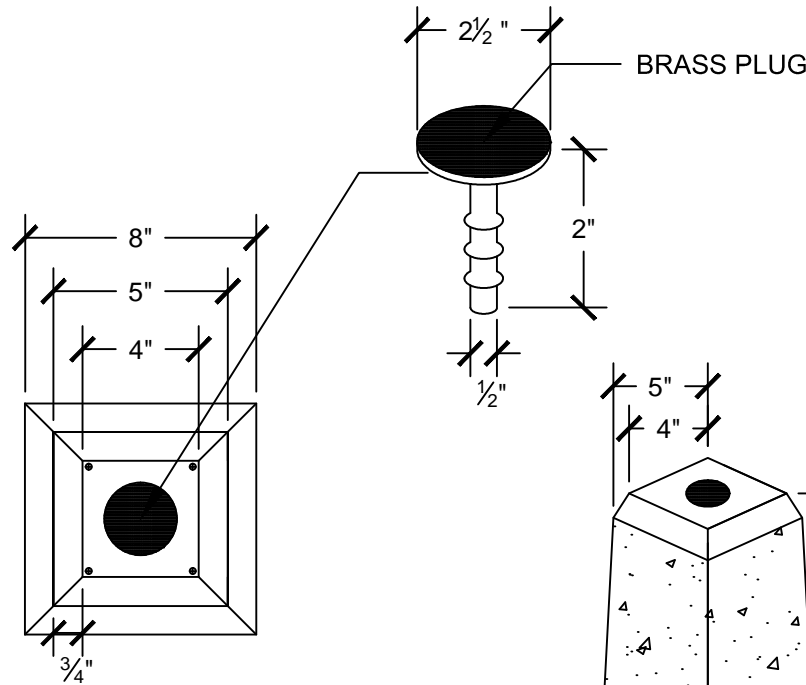
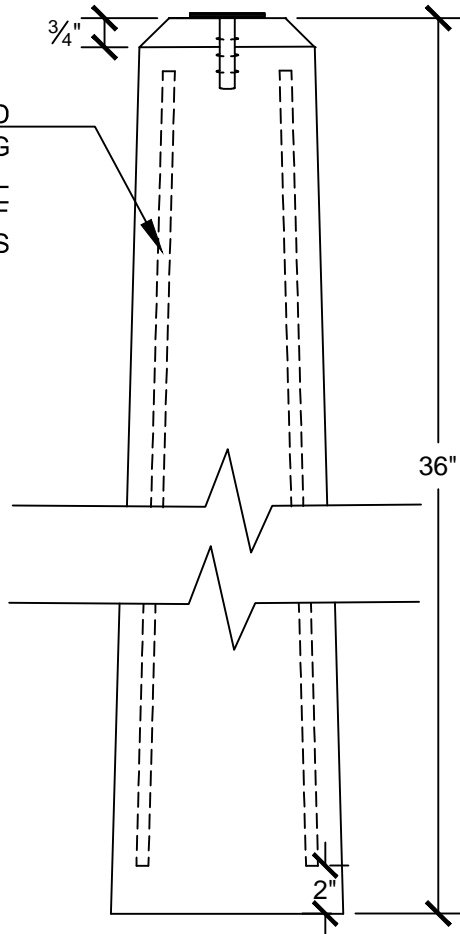


REV	DATE	DES	REV_DESC	MF	WHR	JML
	03/15/16	XXX				
			REVISION DESCRIPTION	CADD	CHK	RW

36" MERESTONE W/ DISC



(4) #3 DEFORMED BARS, 3'8" LONG PLACED PARALLEL WITH SIDES OF MONUMENTS



**CLASS "FSC" CONCRETE
4,000 PSI**

S:\01 CCP\CCP Block Library\CromwellConcrete_Letterhead.jpg					
PROJECT					
TITLE					
36" MERESTONE					
DESIGN	BGR	03/15/16	FILE No.		
CADD	MF	03/15/16	SCALE	AS SHOWN	
REVIEW	MW	03/15/16	REV.	1	MF
PROJECT No.					
DRAWING: 36" MERESTONE					