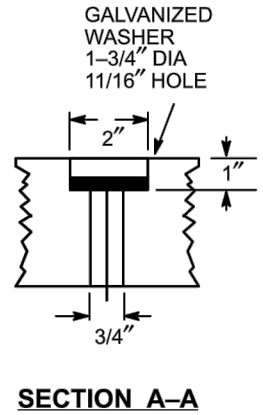
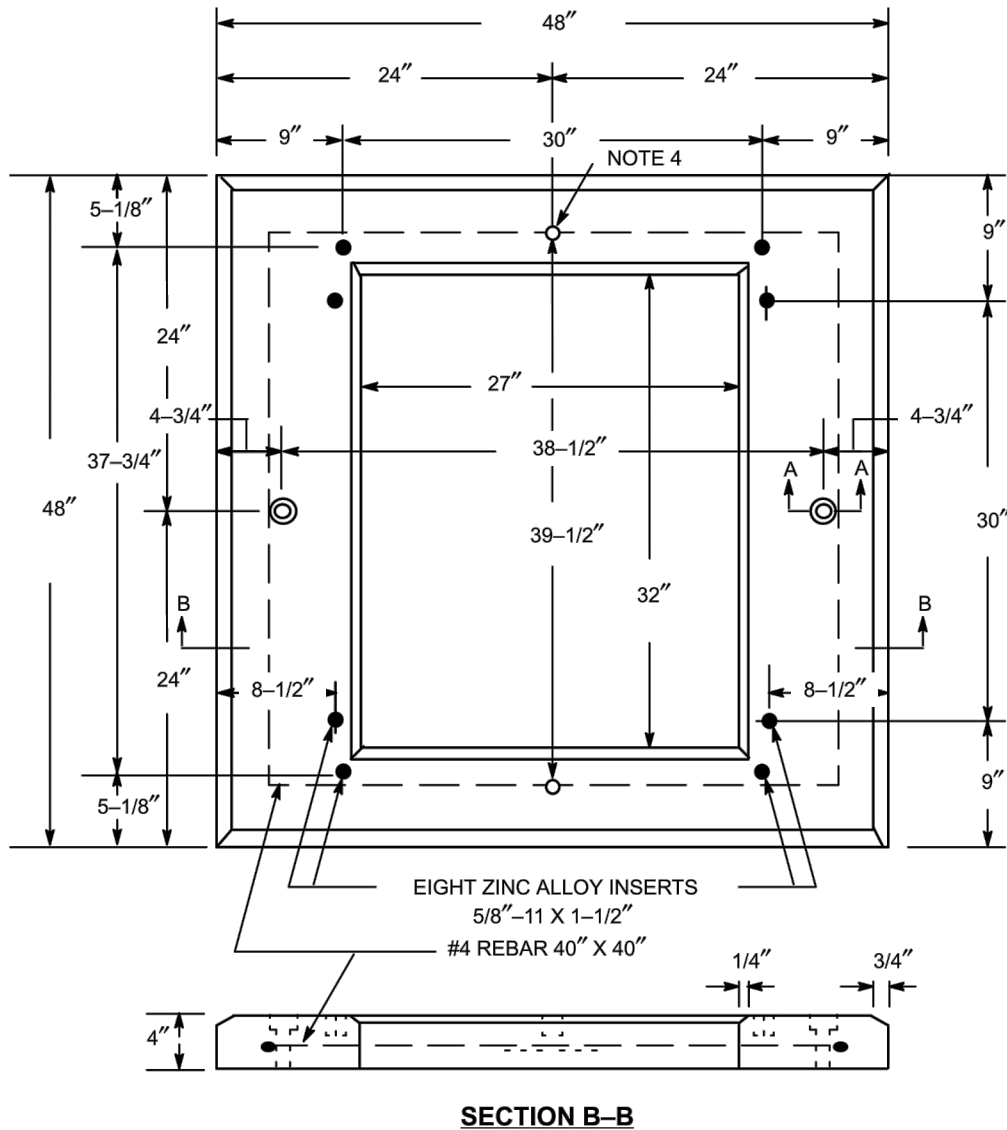


△	11/18/13	XXX	REV_DESC	LJH	WHR	JML
REV	DATE	DES	REVISION DESCRIPTION	CADD	CHK	RW

ML 145 D



EIGHT ZINC ALLOY INSERTS
5/8" - 11 X 1-1/2"
#4 REBAR 40" X 40"

NOTES

1. Final 28 day concrete strength to be 5000 psi.
2. Manufacturer's identification and month/year when manufactured shall be legibly marked in/on concrete in the top within 4 inches of the opening.
3. Concrete and concrete design shall be in accordance with ACI 318-1986.
4. Two 3/4 inch coil loop inserts (Dayton F63) with an insert locator plug (Dayton T21) for lifting the pad with a swivel plate.



PROJECT			
TITLE NORTHEAST UTILITIES SPC P-017 48"x48" TRANSFORMER			
DESIGN	BGR	11/18/13	FILE No.
CADD	LJH	11/18/13	SCALE AS SHOWN
REVIEW			REV. 0
PROJECT No.			

PAD - ENCLOSURE - PRECAST CONCRETE
48" X 48" X 4"

ORIGINAL	NORTHEAST UTILITIES			MATERIAL SPECIFICATION	SPC P-017	9
2/17/76						
APPROVED						
11/1/94						

DRAWING: