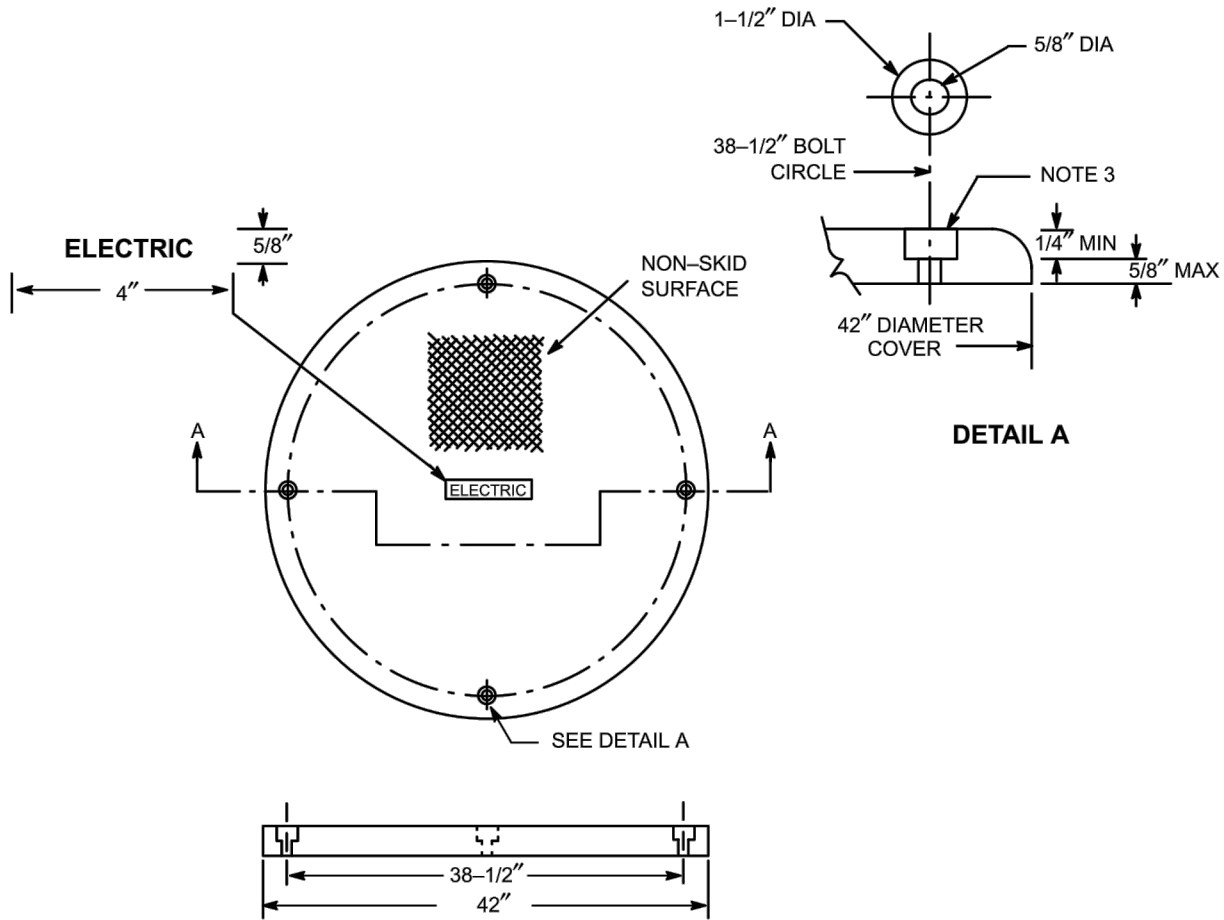


△	11/18/13	XXX	REV_DESC	LJH	WHR	JML
REV	DATE	DES	REVISION DESCRIPTION	CADD	CHK	RW



SECTION A-A

Notes

1. Cover shall conform to ASTM D790.
2. DESIGN LOADING shall be 4,500 pounds applied at the center of the cover over a 6" X 6" area. The cover will be supported by a 36-inch ID ring. The total deflection of the cover shall not exceed 4 inches with load applied for 5 minutes.
3. Plywood core designs shall be encapsulated in a fiberglass-reinforced polyester laminate a minimum of 1/8 inch thick on all surfaces, consisting of a spray up of chopped glass and resin totaling 5 ounces per square foot of surface. The glass content will be a minimum of 25 percent on the top, and will be increased on the bottom if necessary to meet the design loading specified in NOTE 1. The plywood core will comply with the American Plywood Association Standard PS 1-1974, DFPA GRADE, GROUP 1, EXTERIOR C-C or better.
4. The cover shall be permanently embossed with both manufacturer's name and the word "ELECTRIC" as shown.
5. The resin and the gel coat will be pigmented dark green, and there shall be no exposed glass on any surface.
6. A stainless steel or brass washer, 1-3/8 inch OD with a 5/8-inch hole, will be epoxied into the pentahead recess. There should be no exposed wood in the recess.



PROJECT			
TITLE NORTHEAST UTILITIES SPC C-710 FIBERGLASS COVER			
DESIGN	BGR	11/18/13	FILE No.
CADD	LJH	11/18/13	SCALE AS SHOWN
REVIEW			REV. 0
PROJECT No.			

ORIGINAL	COVER - HANDHOLE - HEXAGONS AND ROUND		
5/13/86	42-INCH DIAMETER		
APPROVED			
6/14/97	NORTHEAST UTILITIES	MATERIAL SPECIFICATION	SPC C-710 3

DRAWING: