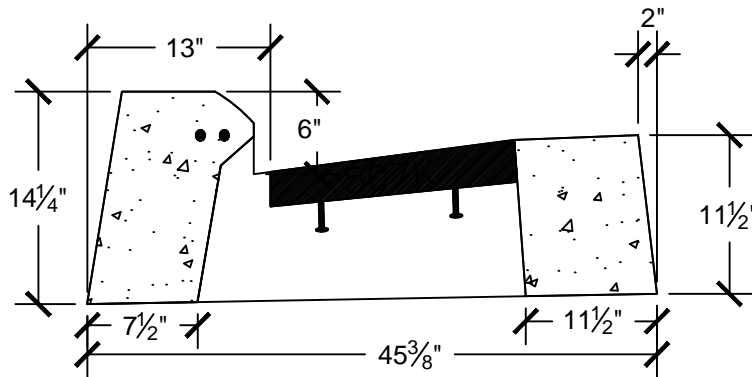
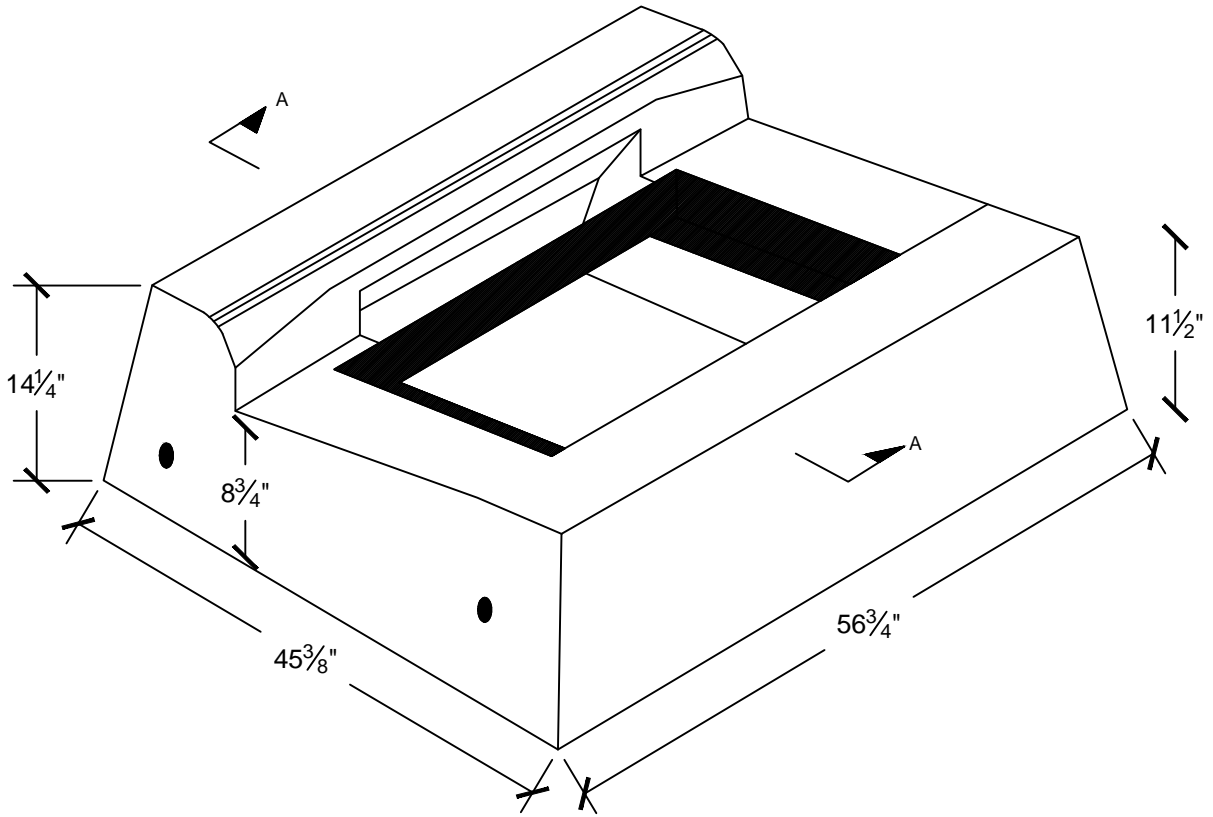


11/18/13	XXX	REV_DESC	LJH	WHR	JML		
REV	DATE	DES	REVISION DESCRIPTION		CADD	CHK	RWW

TYPE "C" PARK CURB TOP

PAINTED OR GALVANIZED
CONFORMS TO ASTM C913



**CLASS "FSC" SELF-CONSOLIDATING CONCRETE
4,000 PSI**



PROJECT

TITLE

"C" PARK CURB TOP

DESIGN	BGR	11/18/13	FILE No.
CADD	TLM	03/21/14	SCALE AS SHOWN
REVIEW			REV. 0
PROJECT No.			

DRAWING: C PARK CURB TOP