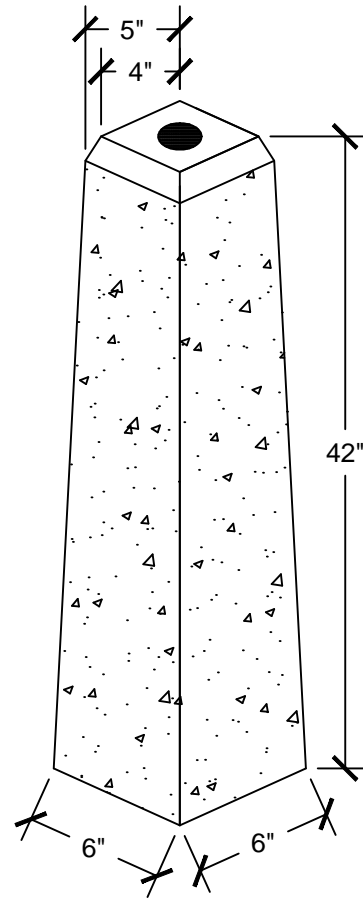
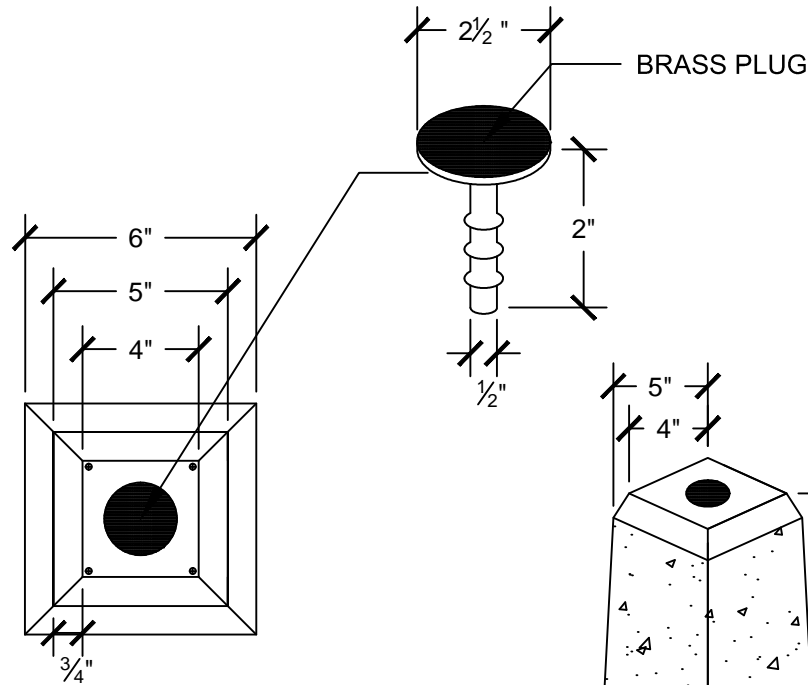
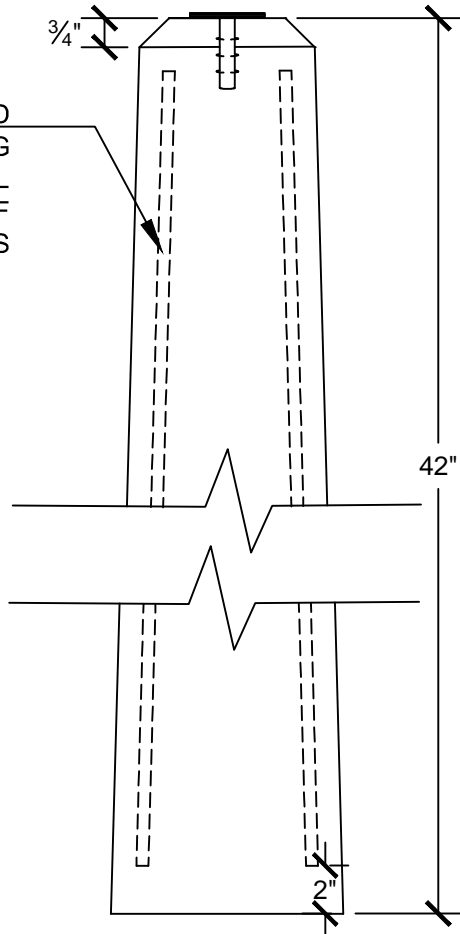


△	03/15/16	XXX	REV_DESC	MF	WHR	JML
REV	DATE	DES	REVISION DESCRIPTION	CADD	CHK	RW

# 42" MERESTONE W/ DISC



(4) #3 DEFORMED BARS, 3'8" LONG PLACED PARALLEL WITH SIDES OF MONUMENTS



CLASS "FSC" CONCRETE  
4,000 PSI



PROJECT

TITLE

42" MERESTONE W/ DISC

DESIGN	BGR	03/15/16	FILE No.
CADD	MF	03/15/16	SCALE AS SHOWN
REVIEW	MW	03/15/16	REV. 1 MF
PROJECT No.			

DRAWING: 42" MERESTONE