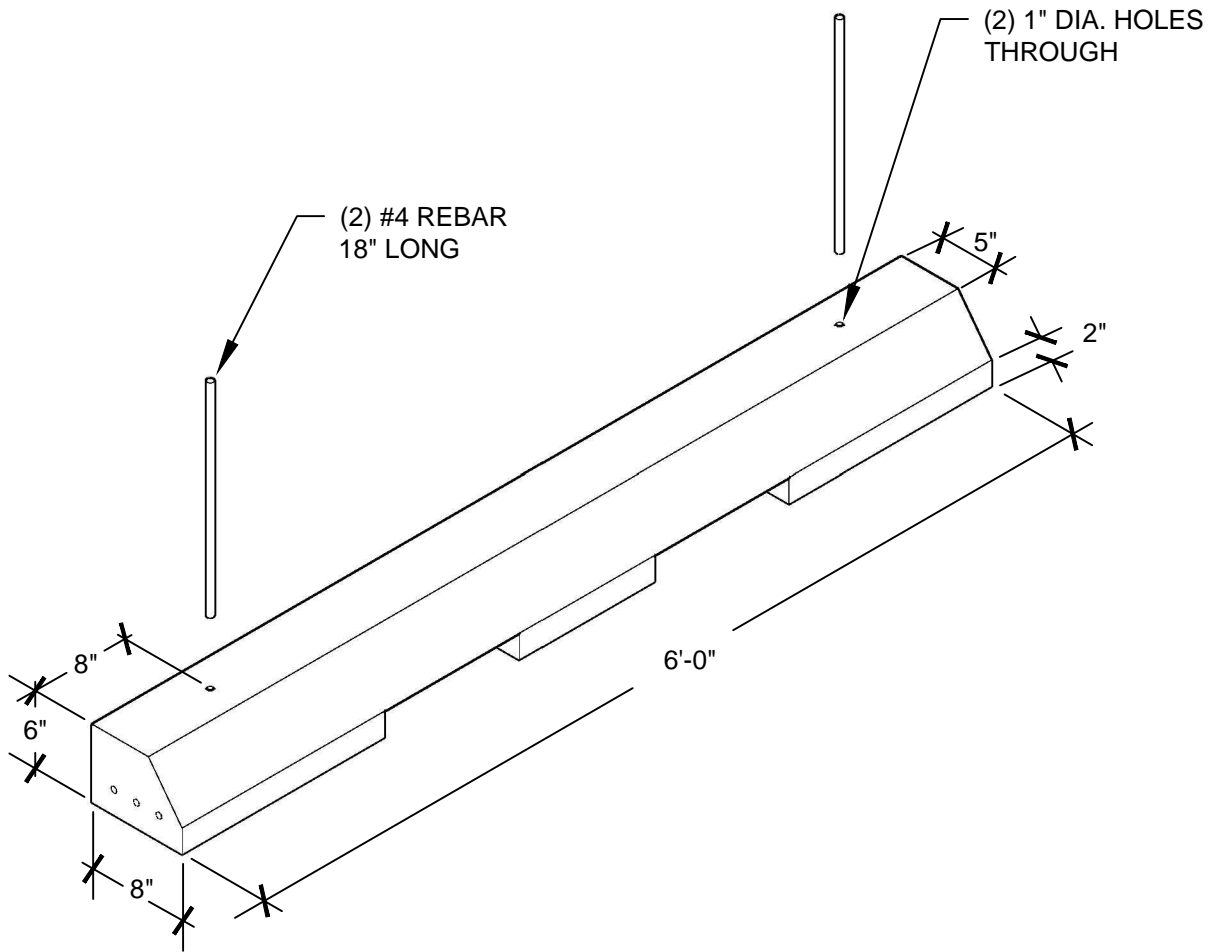


11/18/13	XXX	REV_DESC	LJH	WHR	JML	
REV	DATE	DES	REVISION DESCRIPTION	CADD	CHK	RVW

6' WHEEL STOP W/ UNDER DRAINS (BUMPER BLOCK)



NOTES:

- WEIGHT: 262lbs.
- CLASS "FSC" CONCRETE
- REINFORCED WITH (3) #3 RODS



PROJECT			
TITLE 6' SINGLE SLOPE WHEEL STOP (BUMPER BLOCK)			
DESIGN	BGR	12/13/13	FILE No.
CADD	LJH	12/13/13	SCALE NO SCALE
REVIEW	MF	04/13/16	REV. 0
PROJECT No.			
DRAWING: CONC-6-BUMPER BLOCK			