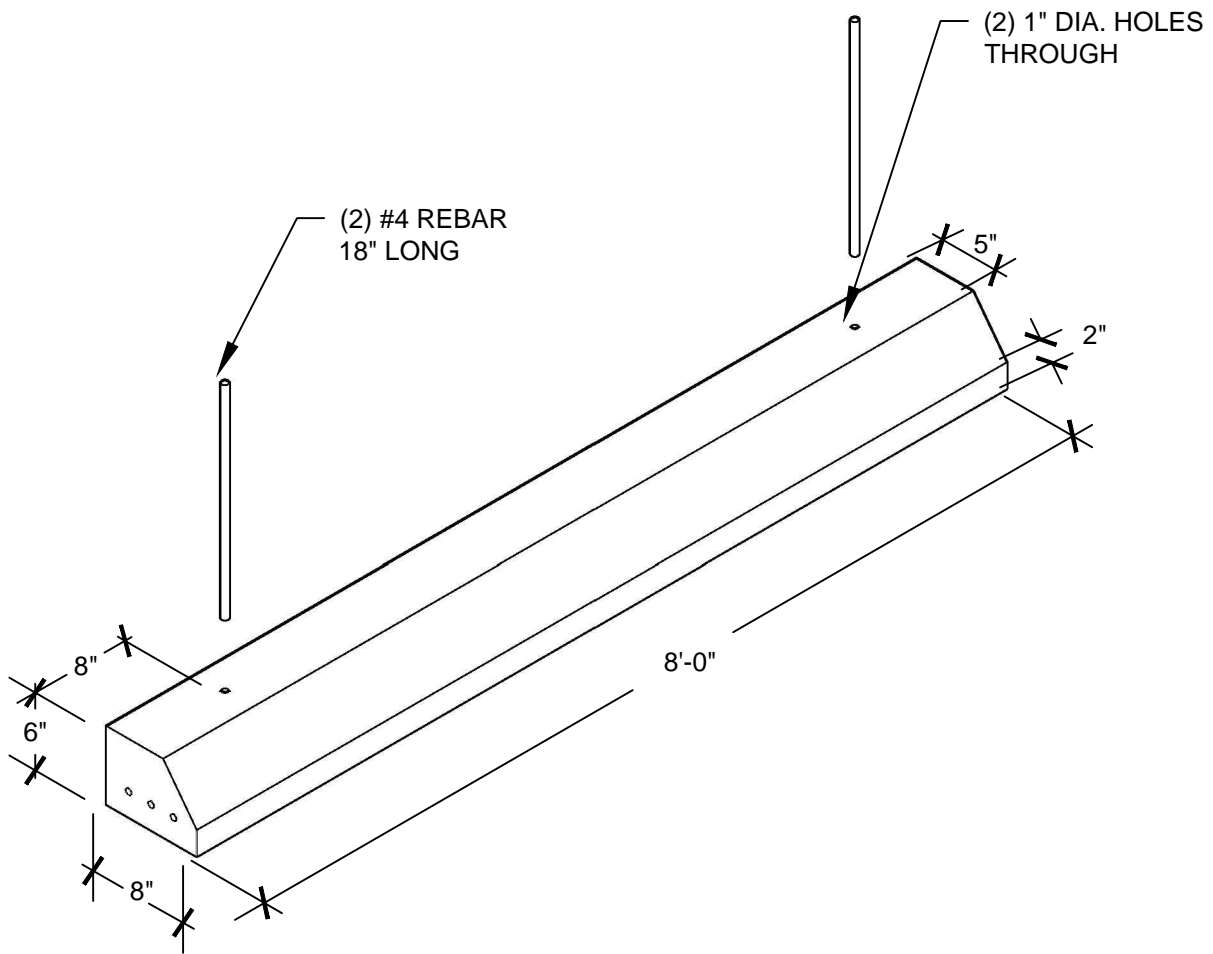



△	11/18/15	XXX	REV_DESC	LJH	MF	JML
REV	DATE	DES	REVISION DESCRIPTION	CADD	CHK	RVW

8' WHEEL STOP (BUMPER BLOCK)



NOTES:

- WEIGHT: 360lbs.
- CLASS "A" CONCRETE
- REINFORCED WITH (3) #3 RODS
- 4000 PSI

 CROMWELL CONCRETE PRODUCTS INC. <small>667 Main Street Cromwell CT 06416 (P) 860.635.5146 (F) 860.635.7469</small>			
PROJECT			
TITLE 8' SINGLE SLOPE WHEEL STOP (BUMPER BLOCK)			
DESIGN	BGR	12/13/13	FILE No.
CADD	LJH	12/13/13	SCALE NO SCALE
REVIEW	MF	11/18/15	REV. 0
PROJECT No.			
DRAWING: CONC-8-BUMPER BLOCK			