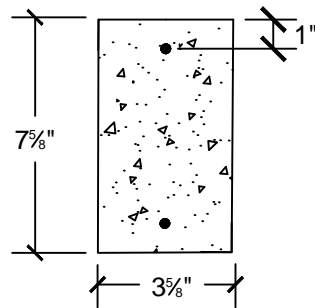
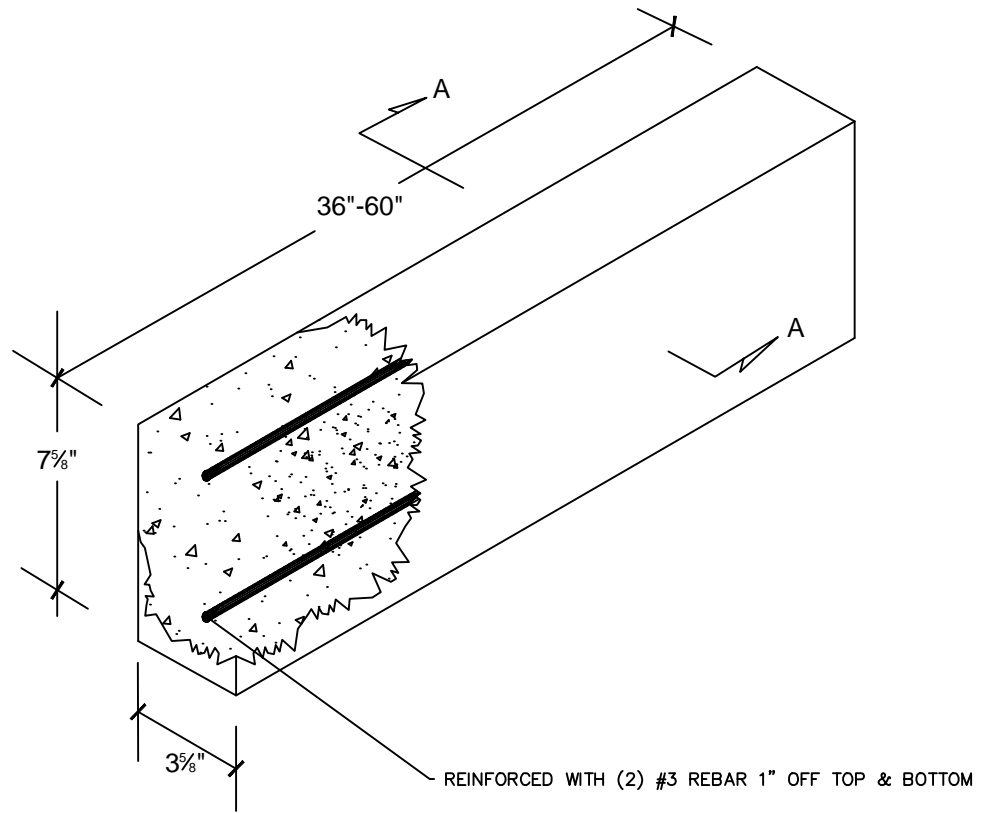


△	05/23/16	TWN	REV_DESC	MF	BGR	JML
REV	DATE	DES	REVISION DESCRIPTION	CADD	CHK	RWW


4"x 8"x 36-60" LINTEL

CONFORMS TO ASTM C913
WEIGHT: 29 LBS/FT



VIEW A-A

**CLASS "FSC" CONCRETE
4,000 PSI**



**CROMWELL
CONCRETE
PRODUCTS INC.**

PROJECT

TITLE

4X8X36-60 LINTEL

DESIGN	BGR	05/23/16	FILE No.
CADD	MF	05/23/16	SCALE AS SHOWN
REVIEW	JML	05/23/16	REV. 0
PROJECT No.			

DRAWING: 4X8X36-60 LINTEL