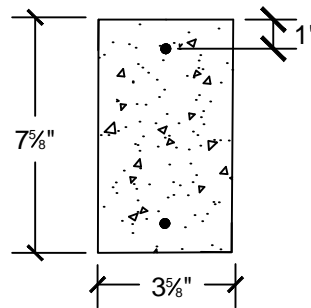
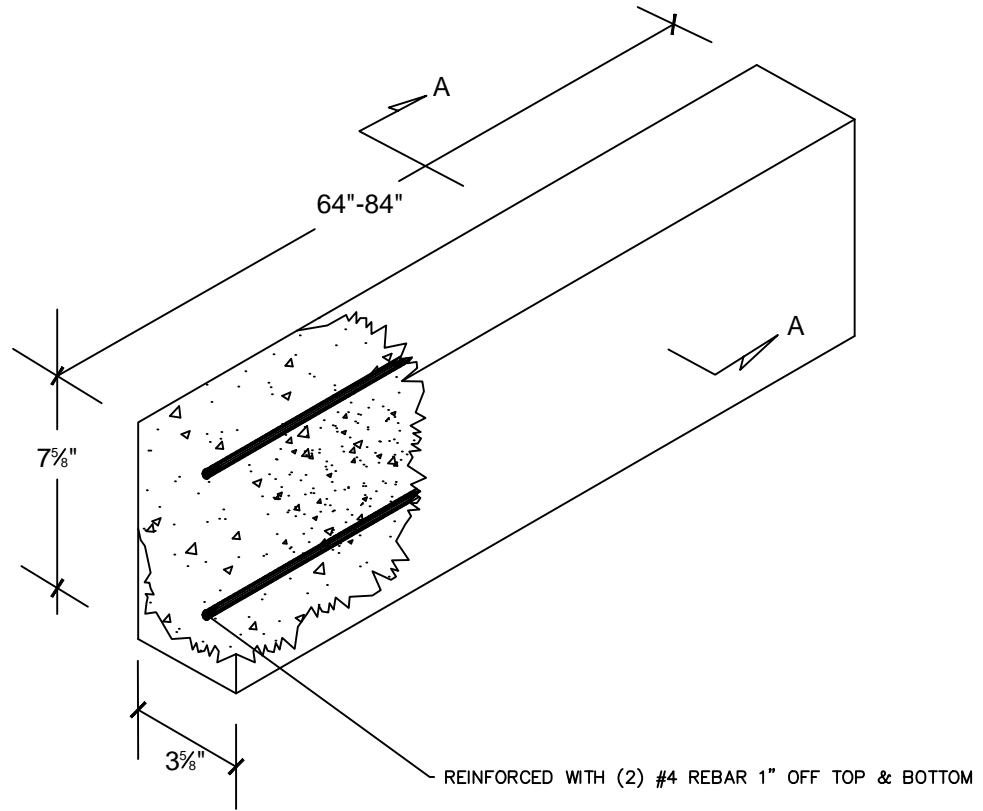


△	05/23/16	TWN	REV_DESC	MF	BGR	JML
REV	DATE	DES	REVISION DESCRIPTION	CADD	CHK	RWW


# 4"x 8"x 64-84" LINTEL

CONFORMS TO ASTM C913  
WEIGHT: 29 LBS/FT



VIEW A-A

**CLASS "FSC" CONCRETE**  
**4,000 PSI**

 <b>CROMWELL CONCRETE PRODUCTS INC.</b>			
PROJECT			
TITLE			
<b>4X8X64-84 LINTEL</b>			
DESIGN	BGR	05/23/16	FILE No.
CADD	MF	05/23/16	SCALE AS SHOWN
REVIEW	JML	05/23/16	REV. 0
PROJECT No.			
<b>DRAWING: 4X8X64-84 LINTEL</b>			