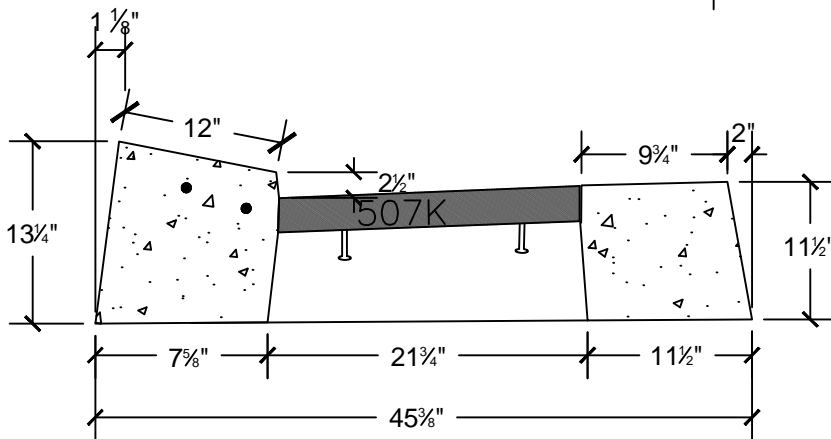
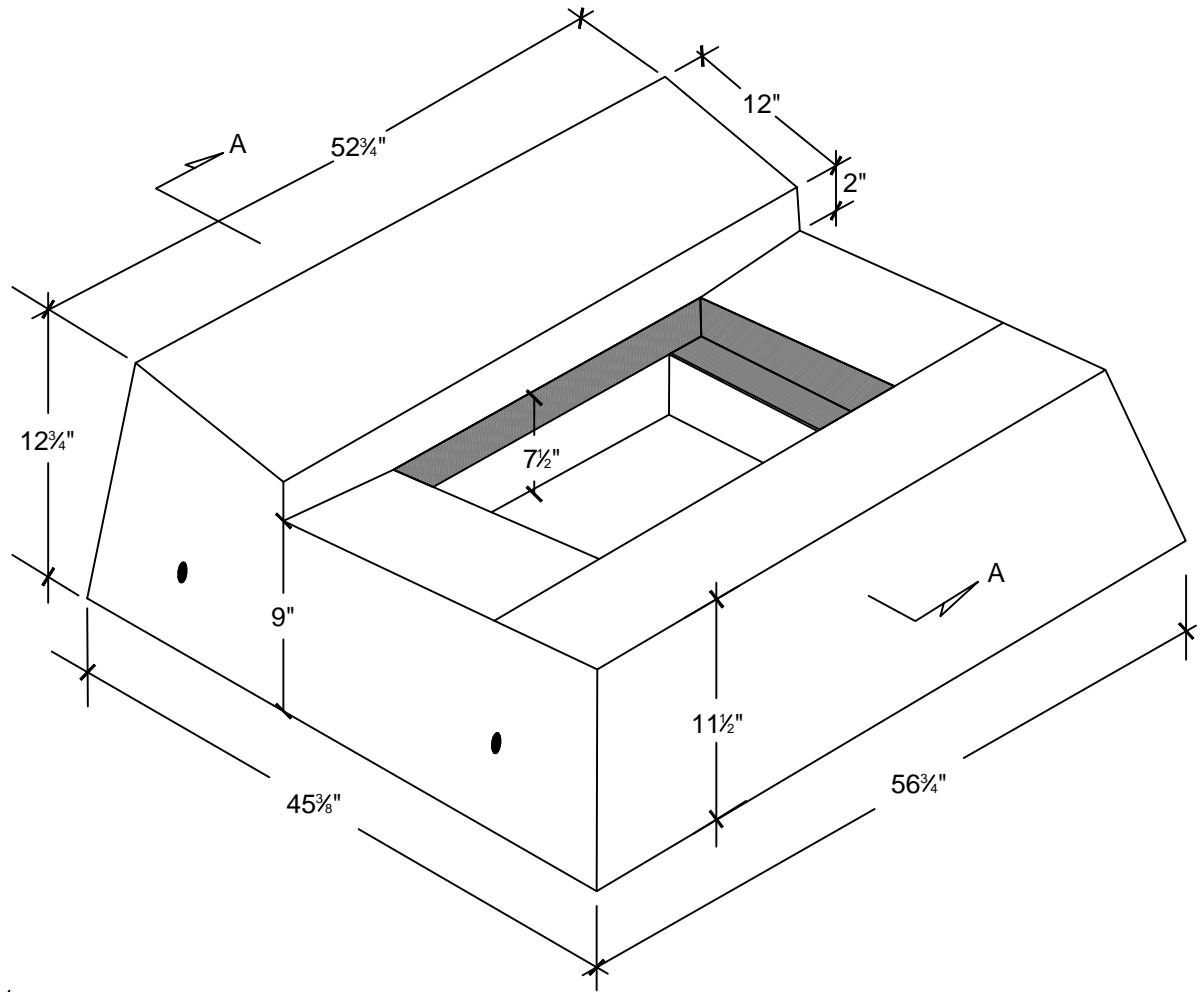


11/18/13	XXX	REV_DESC	LJH	WHR	JML
REV	DATE	DES	REVISION DESCRIPTION		CADD CHK RVW

TYPE "C" CAPE COD TOP

PAINTED OR GALVANIZED
 CONFORMS TO ASTM C913
 WEIGHT: 1700 LBS.



VIEW A-A

**CLASS "F" SELF-CONSOLIDATING CONCRETE
 4,000 PSI**



PROJECT

TITLE

"C" CAPE COD TOP

DESIGN	BGR	01/22/14	FILE No.
CADD	LJH	01/22/14	SCALE AS SHOWN
REVIEW			REV. 0
PROJECT No.			

DRAWING: CAPE COD TOP