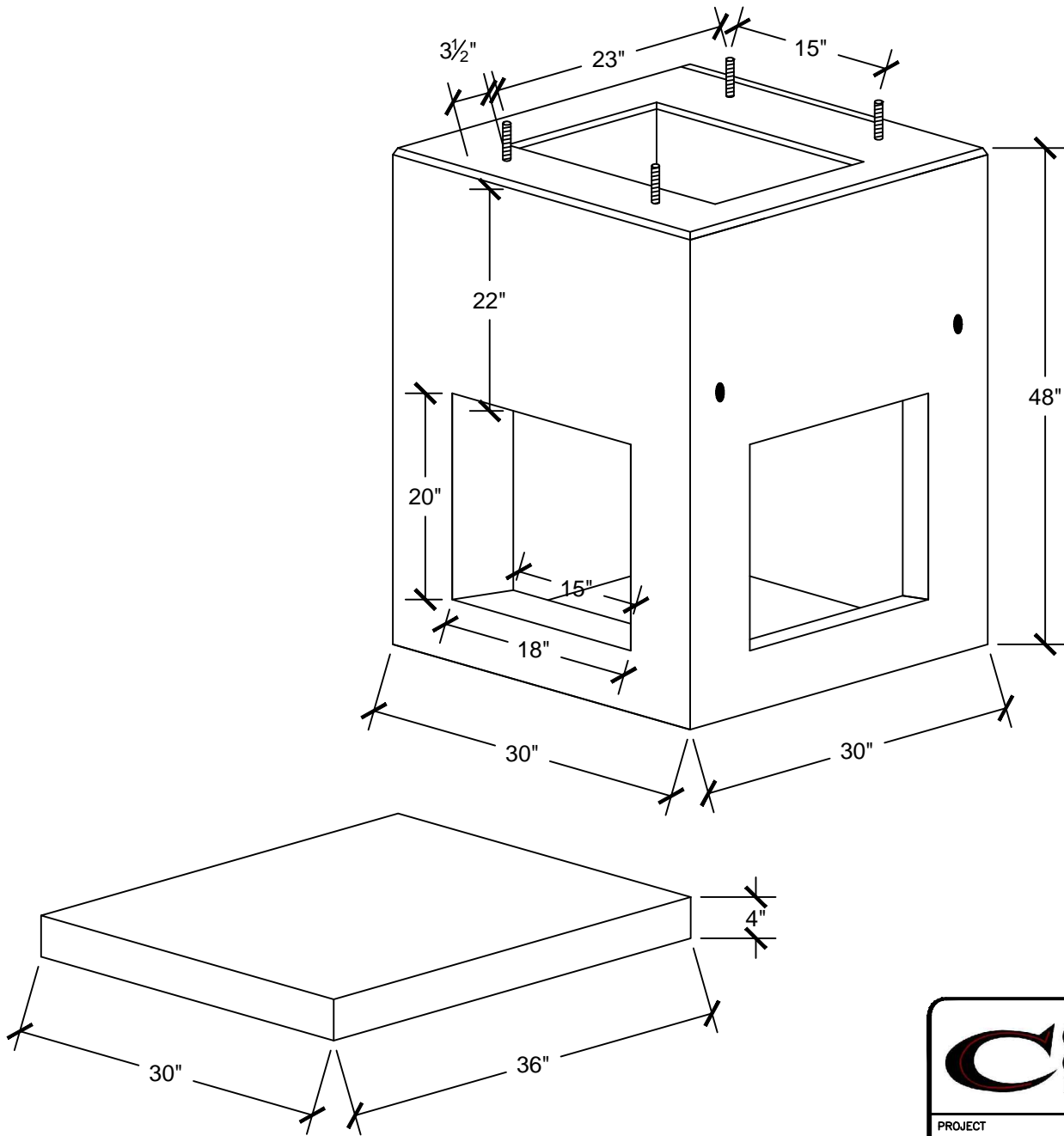



|          |      |          |                      |      |     |    |
|----------|------|----------|----------------------|------|-----|----|
| 03/03/16 | XXX  | REV_DESC | MF                   | WHR  | JML |    |
| REV      | DATE | DES      | REVISION DESCRIPTION | CADD | CHK | RW |

# TYPE 170 CONTROLLER

## BOLT PATTERN 23x15



**CLASS "FSC" CONCRETE**  
**4000 PSI**

|   |     |          |          |          |    |
|---|-----|----------|----------|----------|----|
|  |     |          |          |          |    |
| PROJECT   |     |          |          |          |    |
| TITLE   |     |          |          |          |    |
| TYPE 170 CONTROLLER & SLAB  |     |          |          |          |    |
| DESIGN  | BGR | 01/23/14 | FILE No. |          |    |
| CADD  | PJK | 06/02/14 | SCALE    | AS SHOWN |    |
| REVIEW  | MF  | 03/03/16 | REV.     | 1        | MF |
| PROJECT No.   |     |          |          |          |    |
| DRAWING: TYPE 170 CONTROLLER  |     |          |          |          |    |