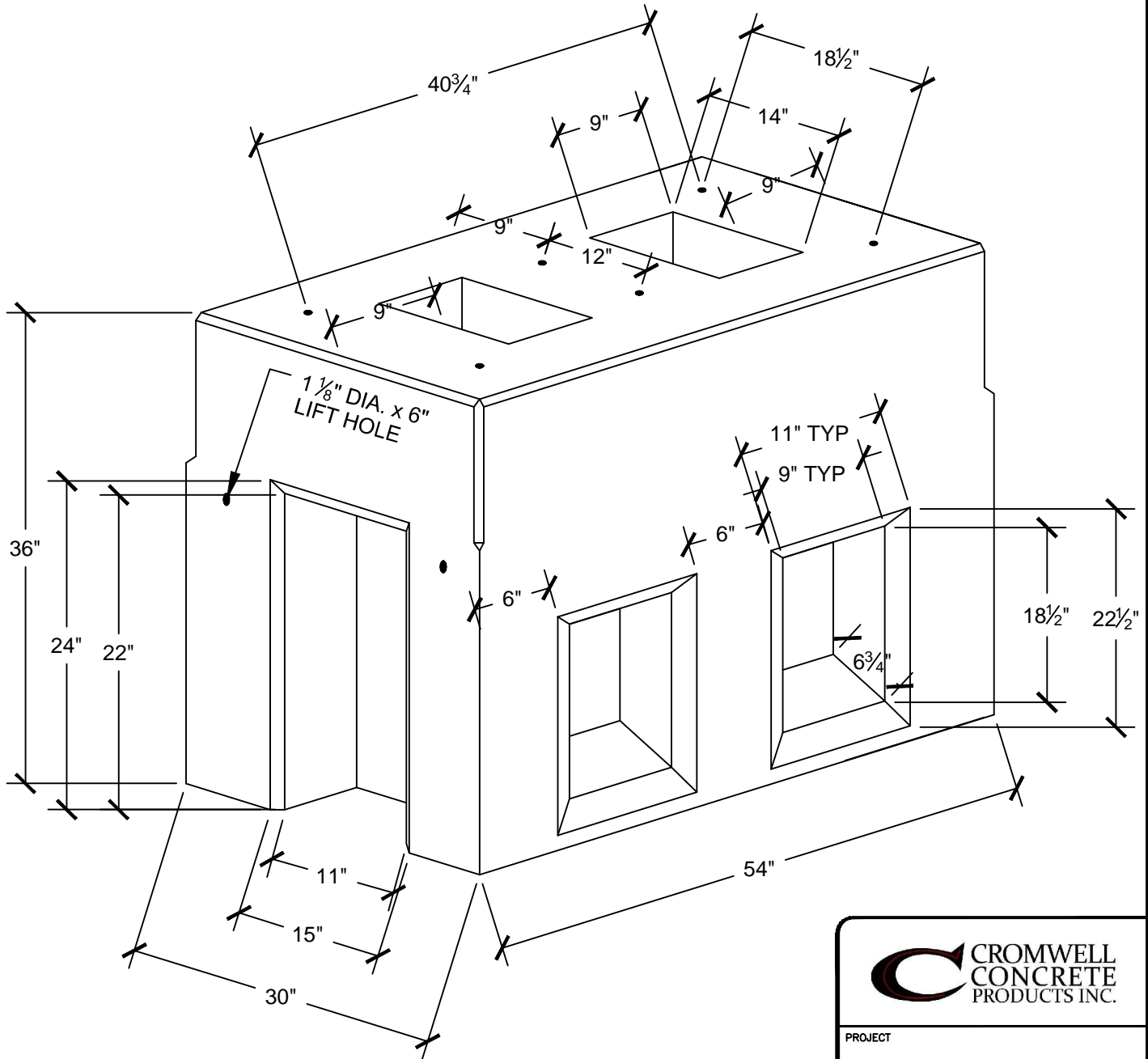


△	11/18/13	XXX	REV_DESC	LJH	WHR	JML
REV	DATE	DES	REVISION DESCRIPTION	CADD	CHK	RW

TYPE II / IV CONTROLLER



TYPE "FSC" CONCRETE
4000 PSI
WGT. 5000 LBS.

CROMWELL CONCRETE PRODUCTS INC.			
PROJECT			
TITLE TYPE II / IV CONTROLLER			
DESIGN	BGR	01/23/14	FILE No.
CADD	PJK	06/02/14	SCALE AS SHOWN
REVIEW	MF	02/01/16	REV. 0
PROJECT No.			
DRAWING: TYPE II / IV CONT			