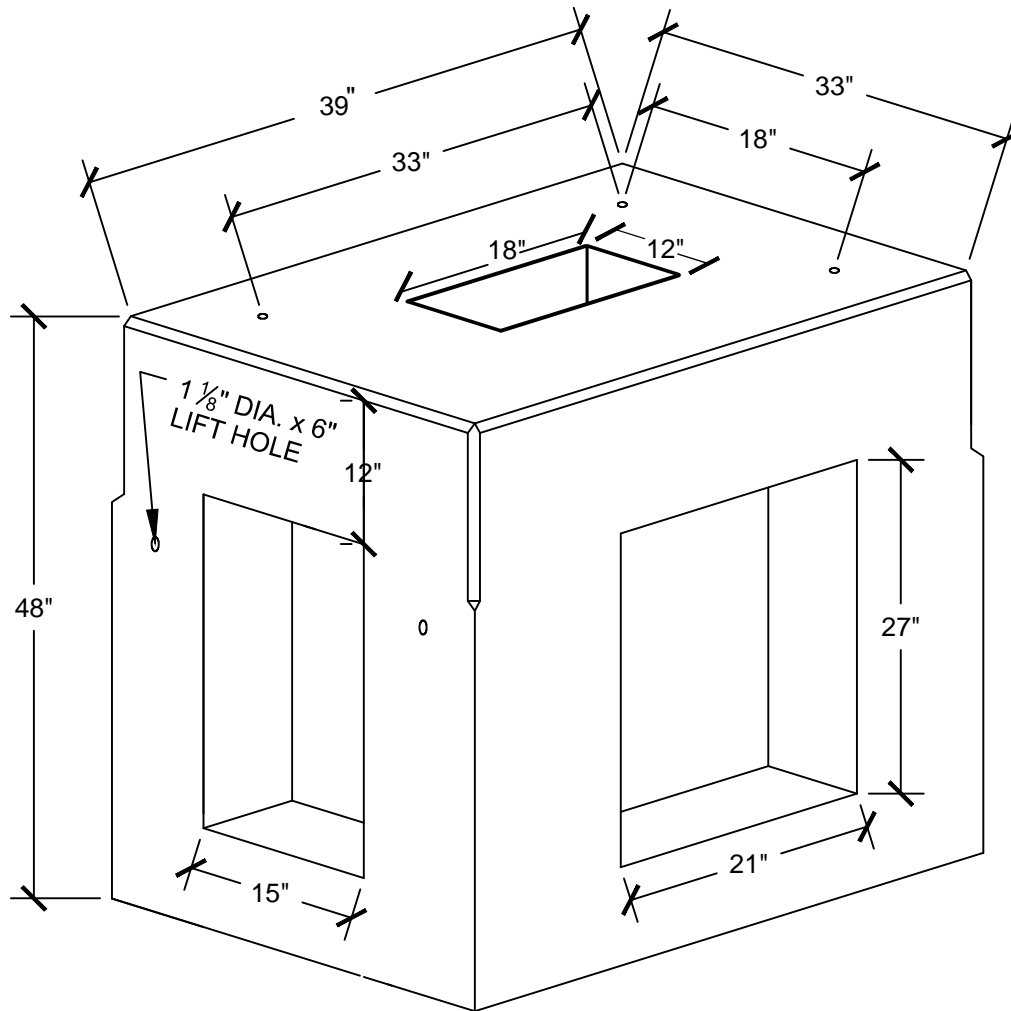


△	05/24/16	XXX	REV_DESC	MF	WHR	JML
REV	DATE	DES	REVISION DESCRIPTION	CADD	CHK	RW

NEW HAVEN CONTROLLER



TYPE "FSC" CONCRETE
 4000 PSI
 WGT. 3150 LBS.



PROJECT

TITLE

NEW HAVEN CONTROLLER

DESIGN	BGR	05/24/16	FILE No.
CADD	MF	05/24/16	SCALE AS SHOWN
REVIEW	JML	05/24/16	REV. 0
PROJECT No.			

DRAWING: NEW HAVEN CONT