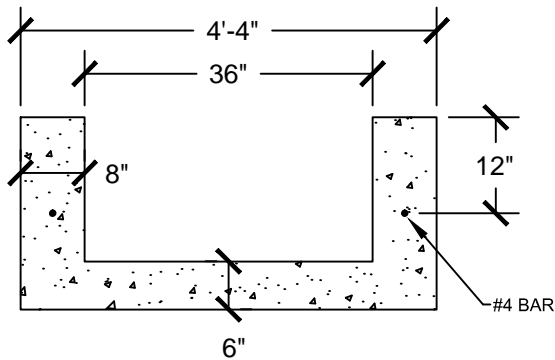
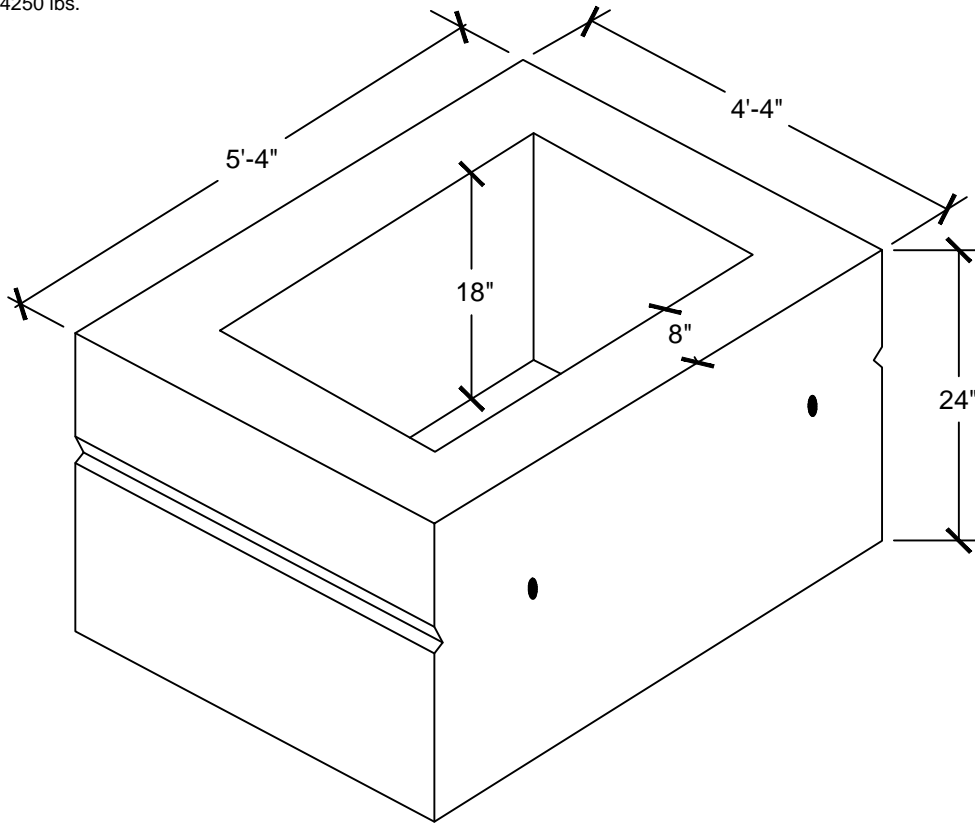


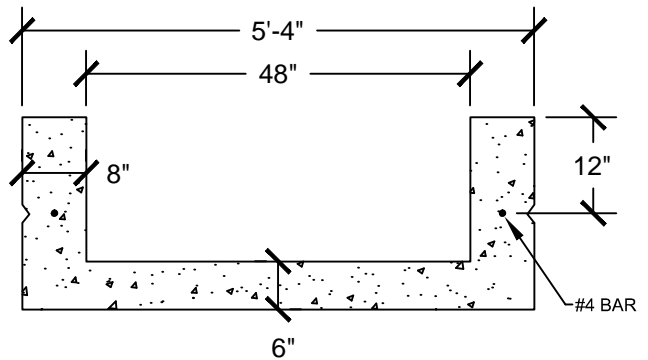
△	11/18/13	XXX	REV_DESC	LJH	WHR	JML
REV	DATE	DES	REVISION DESCRIPTION	CADD	CHK	RW

18" SUMP (NON STATE)

"STANDARD SUMP"
WEIGHT: 4250 lbs.



SHORT SIDE
SCALE: 1/2" = 1'-0"



LONG SIDE
SCALE: 1/2" = 1'-0"

**CLASS "FSC" SELF-CONSOLIDATING CONCRETE
4,000 PSI**



PROJECT	CLIENT NAME PROJECT INFO				
TITLE	STD. 18" SUMP				
DESIGN	BGR	02/12/14	FILE No.		
CADD	LJH	02/12/14	SCALE	AS SHOWN	
REVIEW	MF	12/21/15	REV.	0	
PROJECT No.					

DRAWING: STD-SUMP