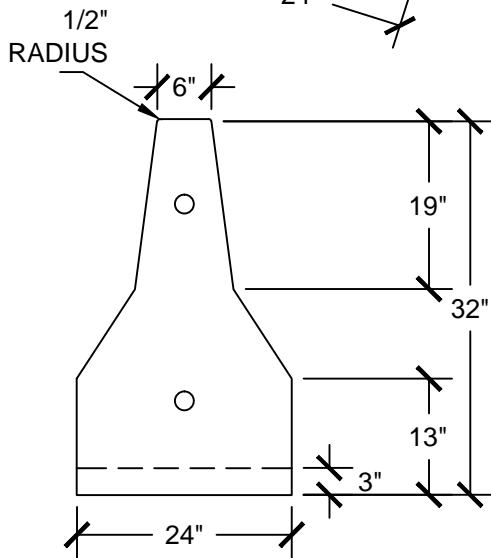
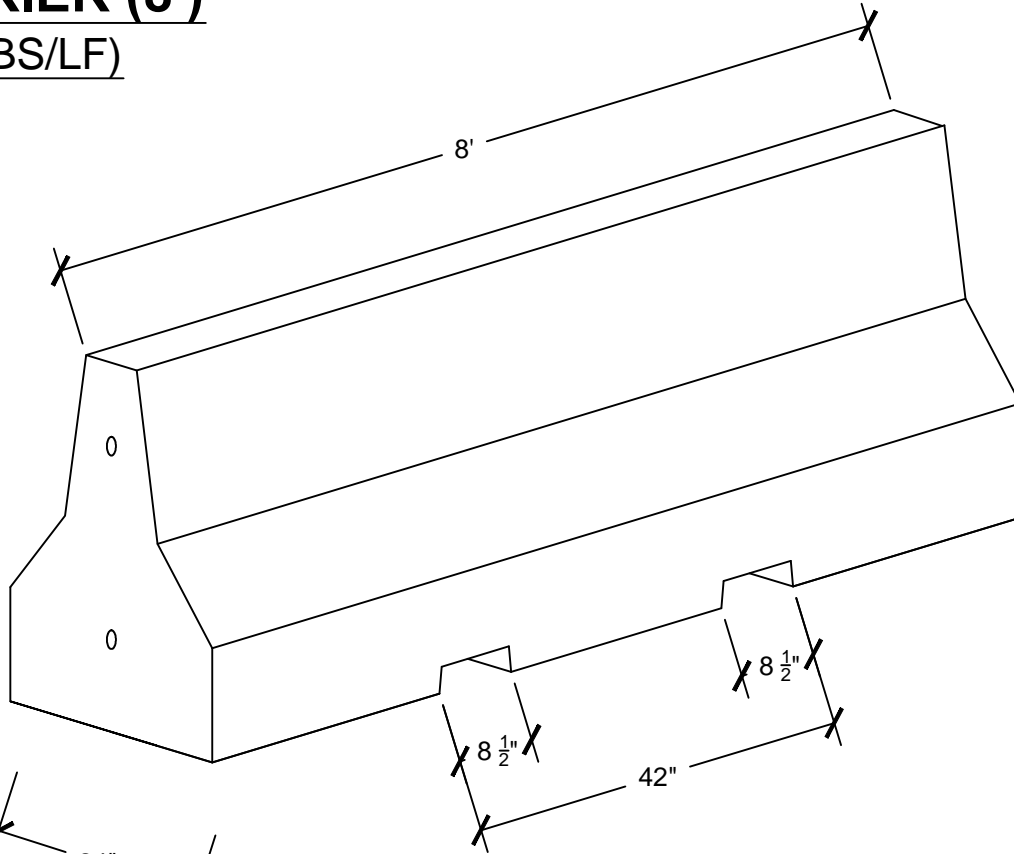


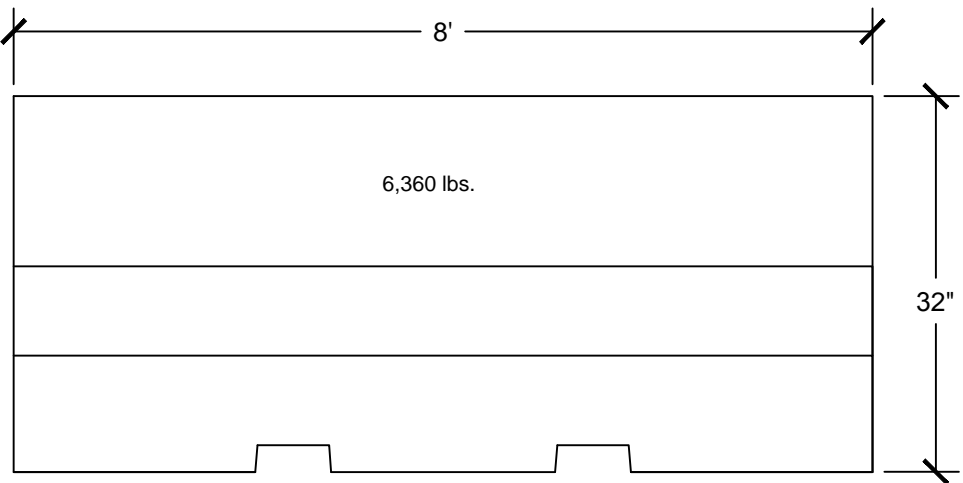
|     |          |     |                      |      |     |     |
|-----|----------|-----|----------------------|------|-----|-----|
| △   | 05/30/14 | XXX | REV_DESC             | PJK  | WHR | JML |
| REV | DATE     | DES | REVISION DESCRIPTION | CADD | CHK | RW  |

# BARRIER (8')

(795 LBS/LF)




**SECTION A-A**



**SECTION B-B**

**CLASS "FSC" SELF-CONSOLIDATING CONCRETE  
4,000 PSI**



**CROMWELL  
CONCRETE  
PRODUCTS INC.**  
667 Main Street Cromwell CT 06416  
(P) 860.633.5146 (F) 860.633.7469

|                                   |     |          |          |          |  |
|-----------------------------------|-----|----------|----------|----------|--|
| PROJECT                           |     |          |          |          |  |
| TITLE                             |     |          |          |          |  |
| <b>JERSEY BARRIER 8'</b>          |     |          |          |          |  |
| DESIGN                            | BGR | 05/30/14 | FILE No. |          |  |
| CADD                              | PJK | 05/30/14 | SCALE    | AS SHOWN |  |
| REVIEW                            | MF  | 01/04/16 | REV.     | 0        |  |
| PROJECT No.                       |     |          |          |          |  |
| <b>DRAWING: JERSEY BARRIER 8'</b> |     |          |          |          |  |