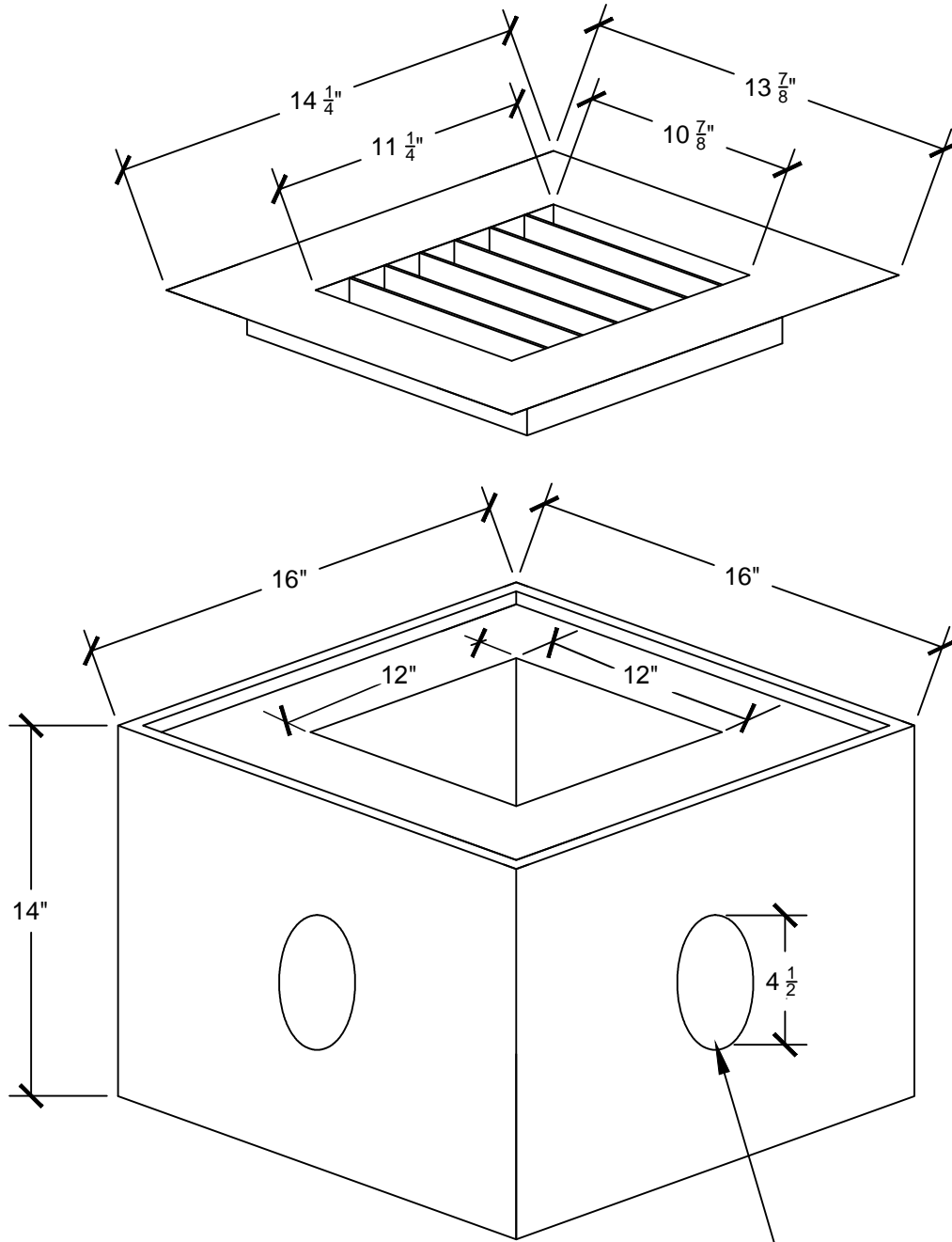


△	11/18/13	XXX	REV_DESC	LJH	WHR	JML
REV	DATE	DES	REVISION DESCRIPTION	CADD	CHK	RW

16" YARD DRAIN (NON STATE)



**CLASS "FSC" CONCRETE
4,000 PSI**

PROJECT					
TITLE					
16" YARD DRAIN					
DESIGN	BGR	01/23/14	FILE No.		
CADD	PJK	06/02/14	SCALE	AS SHOWN	
REVIEW	MF	02/26/16	REV.	0	
PROJECT No.					
DRAWING: 16" YARD DRAIN					