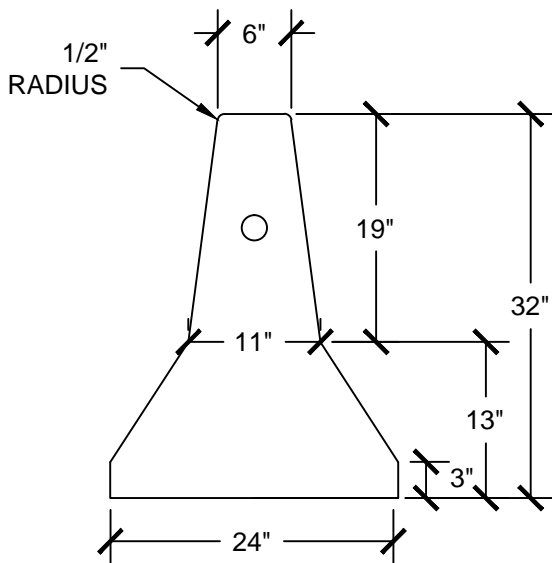
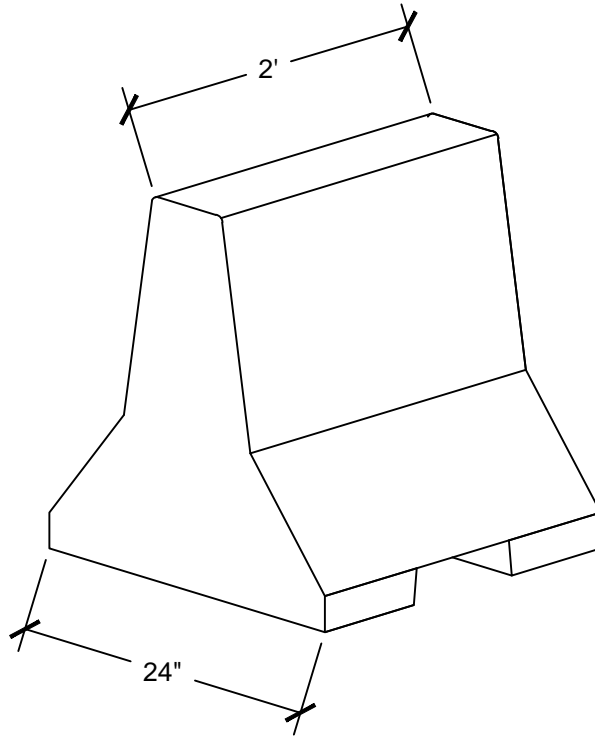


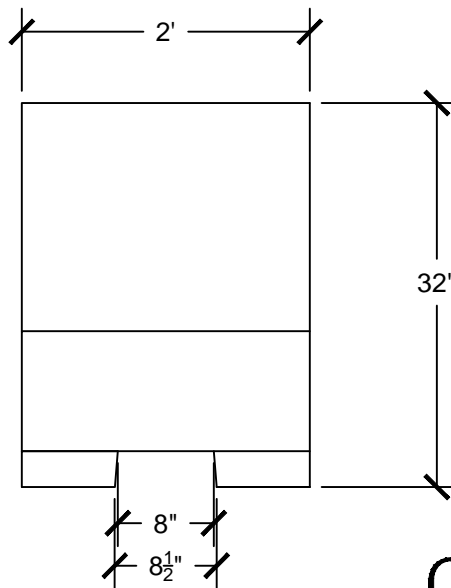
△	05/30/14	XXX	REV_DESC	PJK	WHR	JML
REV	DATE	DES	REVISION DESCRIPTION	CADD	CHK	RW

BARRIER (2')

(545 LBS/LF)




SECTION A-A



SECTION B-B

**CLASS "FSC" SELF-CONSOLIDATING CONCRETE
4,000 PSI**



**CROMWELL
CONCRETE
PRODUCTS INC.**
667 Main Street Cromwell CT 06416
(P) 860.635.5146 (F) 860.635.7469

PROJECT					
TITLE					
BARRIER 2'					
DESIGN	BGR	05/30/14	FILE No.		
CADD	PJK	05/30/14	SCALE	AS SHOWN	
REVIEW	MF	01/04/16	REV.	0	
PROJECT No.					
DRAWING: BARRIER 2'					