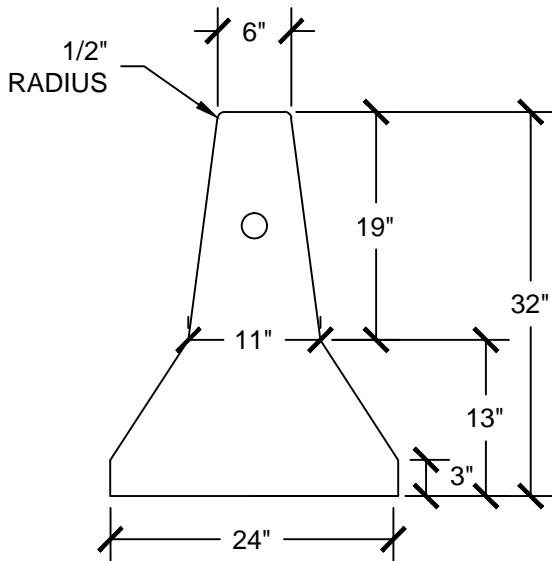
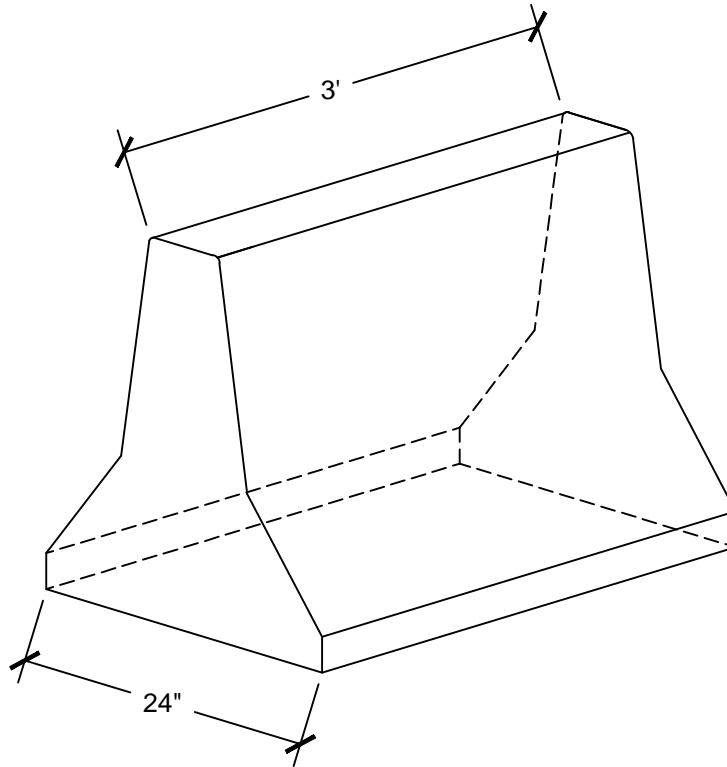
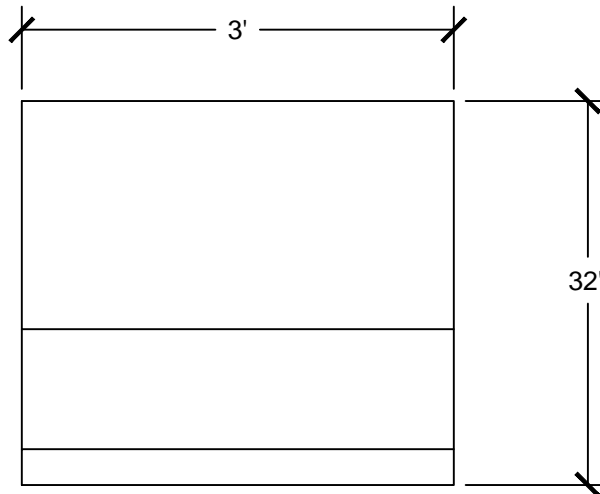


△	5/30/2014	XXX	REV_DESC	PJK	WHR	JML
REV	DATE	DES	REVISION DESCRIPTION	CADD	CHK	RW

**BARRIER (3')**  
**(545 LBS/LF)**




**SECTION A-A**



**SECTION B-B**

**CLASS "FSC" SELF-CONSOLIDATING CONCRETE**  
**4,000 PSI**

 <b>CROMWELL CONCRETE PRODUCTS INC.</b> 667 Main Street Cromwell CT 06416 (P) 860.635.5146 (F) 860.635.7469			
PROJECT			
TITLE			
<b>JERSEY BARRIER 3'</b>			
DESIGN	BGR	05/30/14	FILE No.
CADD	PJK	05/30/14	SCALE AS SHOWN
REVIEW	MF	01/04/16	REV. 0
PROJECT No.			
<b>DRAWING: JERSEY BARRIER 3'</b>			