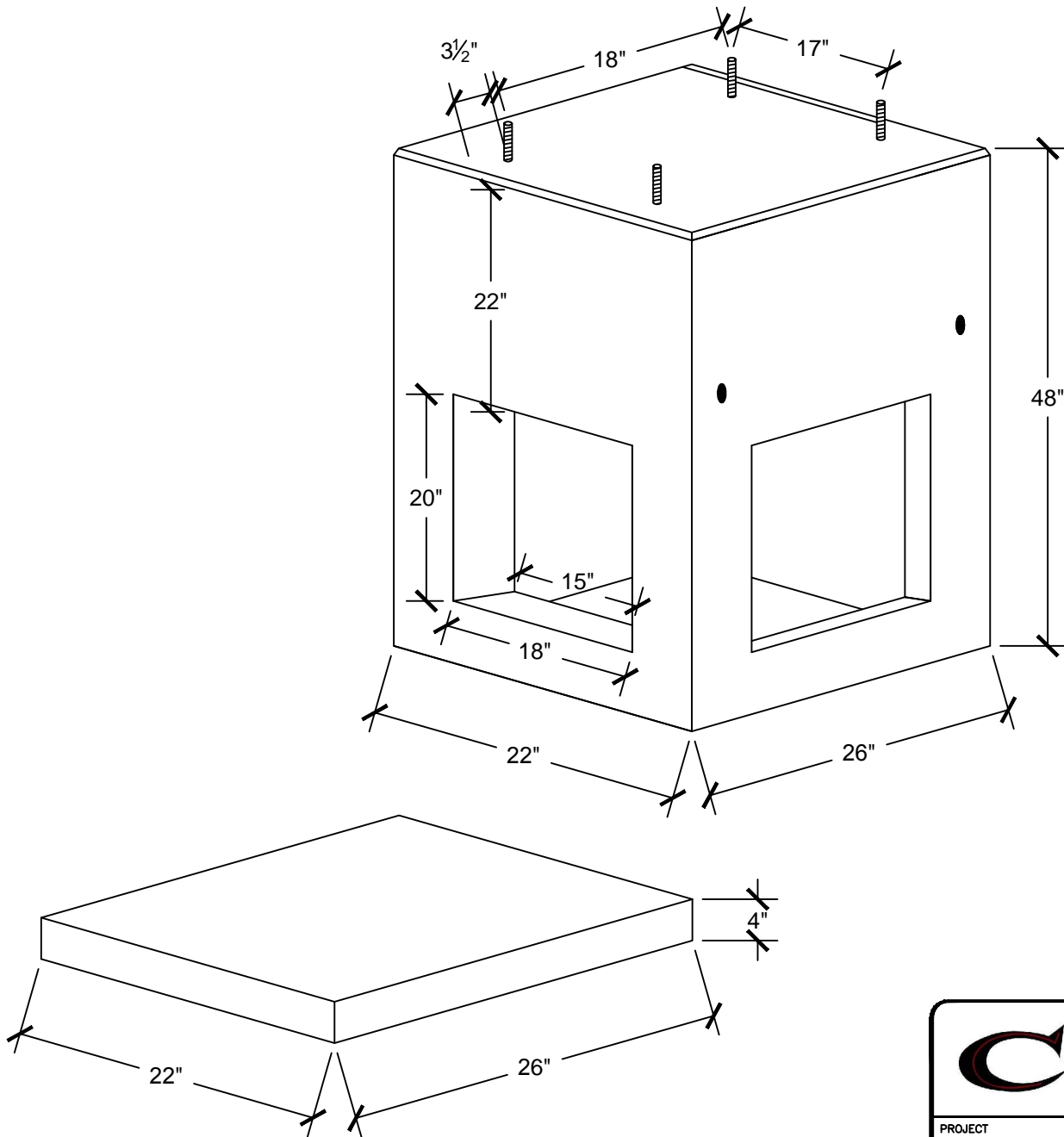



03/03/16	XXX	REV_DESC	MF	WHR	JML
REV	DATE	DES	CADD	CHK	RW
REVISION DESCRIPTION					

TYPE 170 CONTROLLER

BOLT PATTERN 18"x17"



CLASS "FSC" CONCRETE
4000 PSI



**CROMWELL
CONCRETE
PRODUCTS INC.**

PROJECT

TITLE

TYPE 170 CONTROLLER & SLAB

DESIGN	BGR	01/23/14	FILE No.
CADD	PJK	06/02/14	SCALE AS SHOWN
REVIEW	MF	03/03/16	REV. 1 MF

PROJECT No.

DRAWING: TYPE 170 CONTROLLER