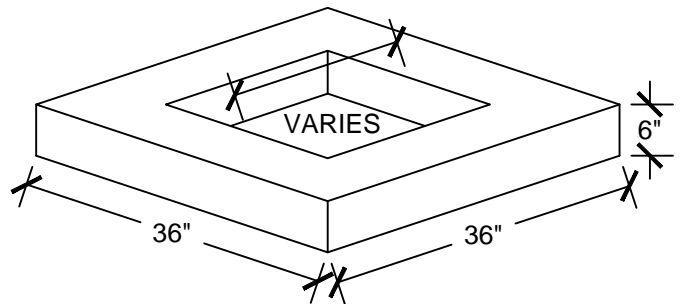
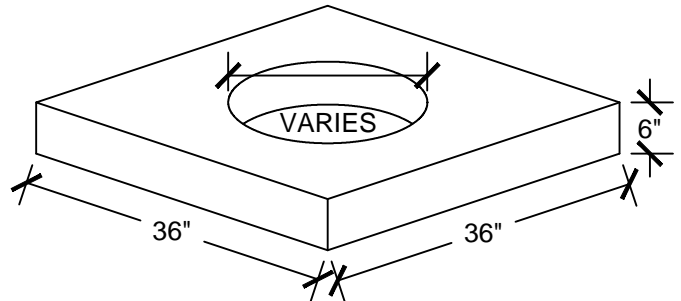
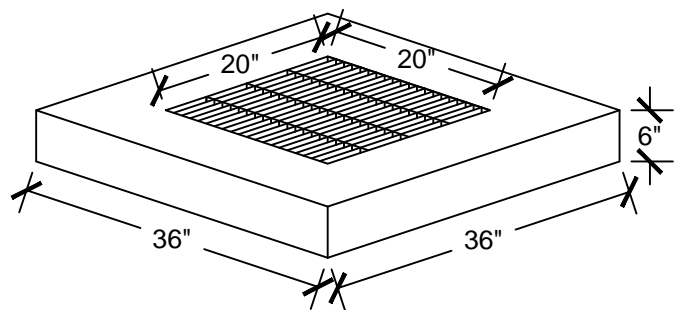
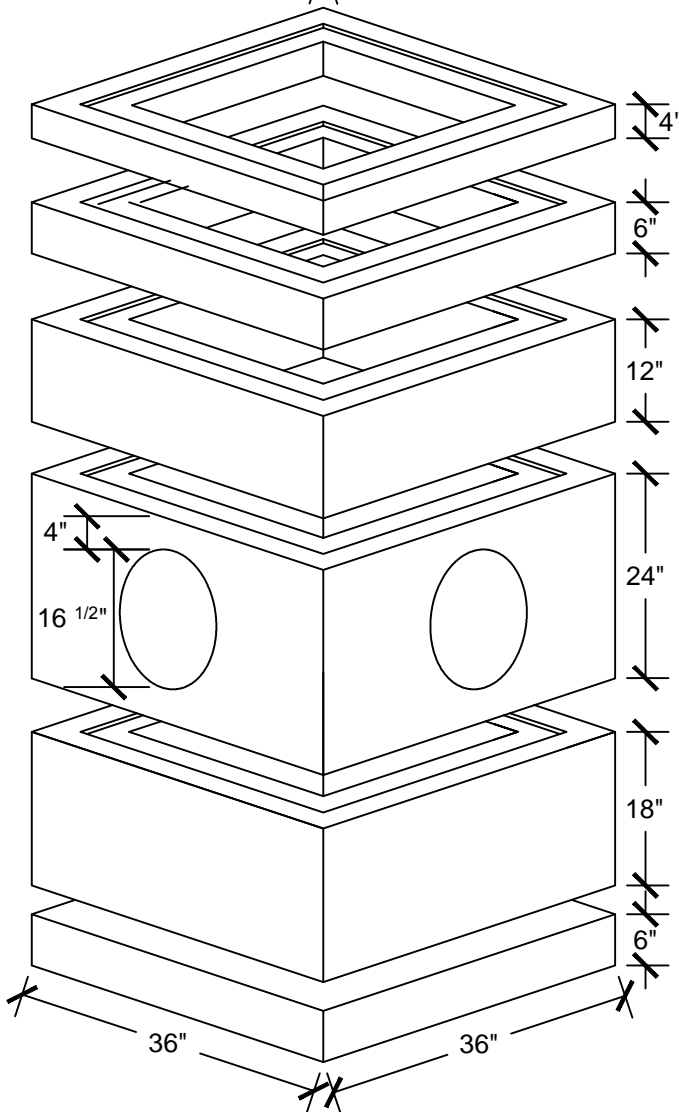
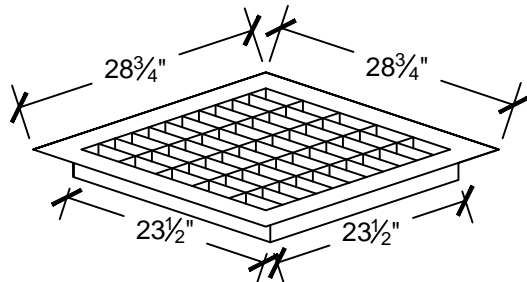


36" YARD DRAIN

03/04/16	XXX	REV_DESC	MF	WHR	MW
REV	DATE	DES	CADD	CHK	RVW
REVISION DESCRIPTION					



NOTES:

- HOLDS UP TO A 12" PIPE
- MEETS ASTM C913 REQS
- ALTERNATE TOP INSIDE DIMS. VARY TO ORDER

**CLASS "FSC" SELF-CONSOLIDATING CONCRETE
4,000 PSI**



PROJECT				
TITLE 36" YARD DRAIN				
DESIGN	BGR	03/04/16	FILE No.	
CADD	MF	03/04/16	SCALE	AS SHOWN
REVIEW	MW	03/04/16	REV.	0
PROJECT No.				

DRAWING: 36" YARD DRAIN