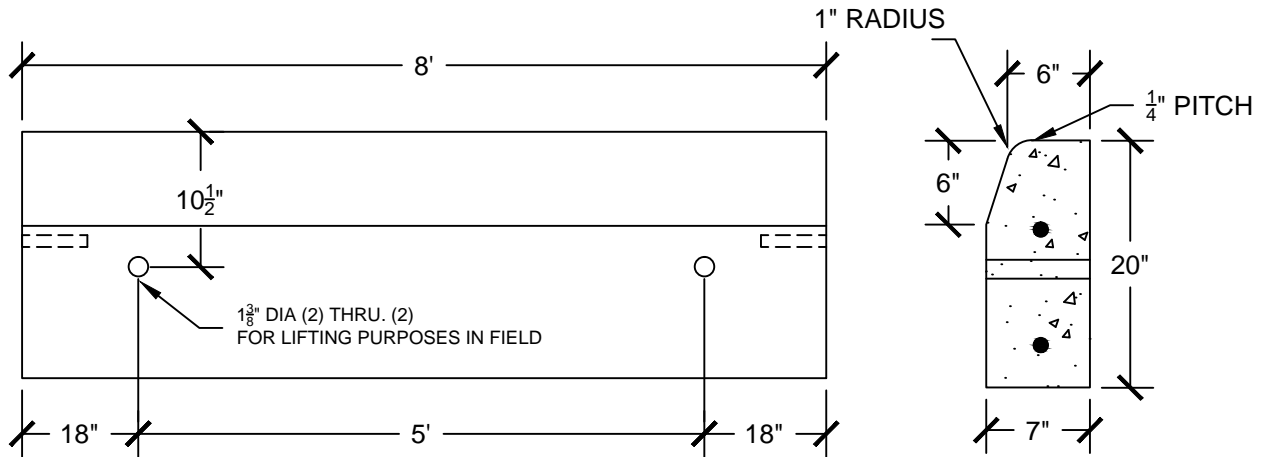


△	11/18/13	XXX	REV_DESC	LJH	WHR	JML
REV	DATE	DES	REVISION DESCRIPTION	CADD	CHK	RW

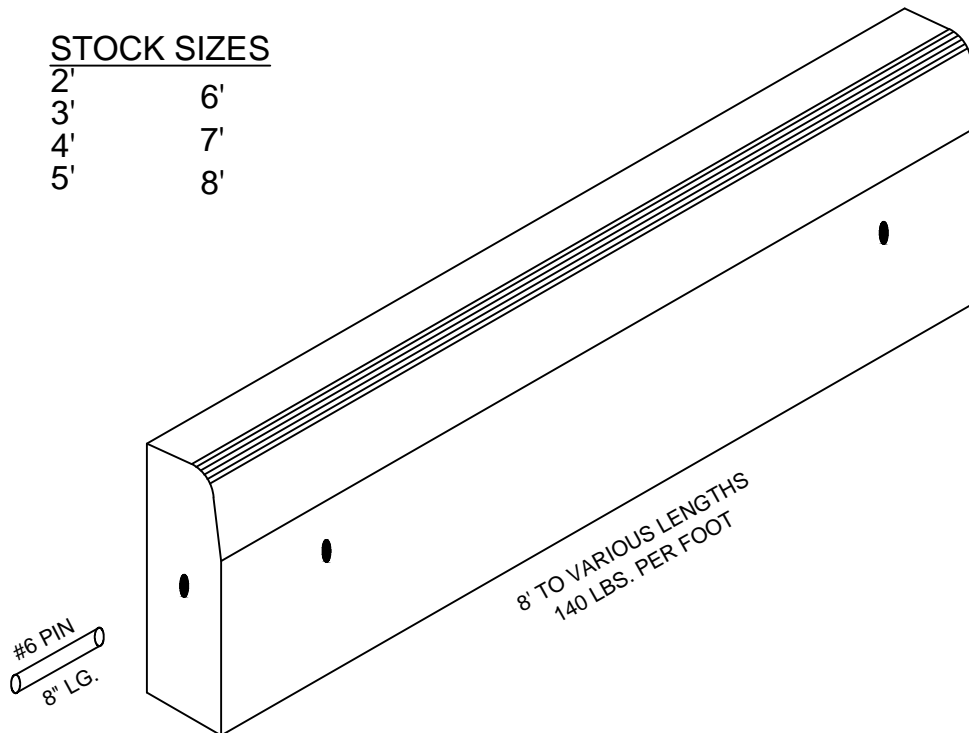
D.O.T. CURBING

140 LB. P/ FT.




STOCK SIZES

2'	6'
3'	7'
4'	8'
5'	



CLASS "FSC" SELF-CONSOLIDATING CONCRETE
5,000 PSI



CROMWELL CONCRETE PRODUCTS INC.
667 Main Street Cromwell CT 06416
(P) 860.635.5146 (F) 860.635.7469

PROJECT			
TITLE			
D.O.T. CURBING			
DESIGN	BGR	01/23/14	FILE No.
CADD	PJK	06/02/14	SCALE AS SHOWN
REVIEW	MF	01/25/16	REV. 0
PROJECT No.			
DRAWING: D.O.T. CURBING			