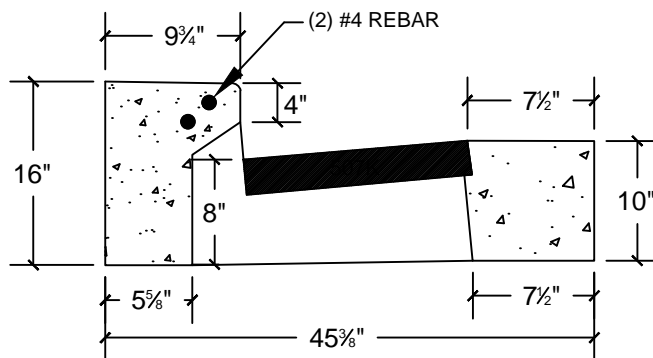
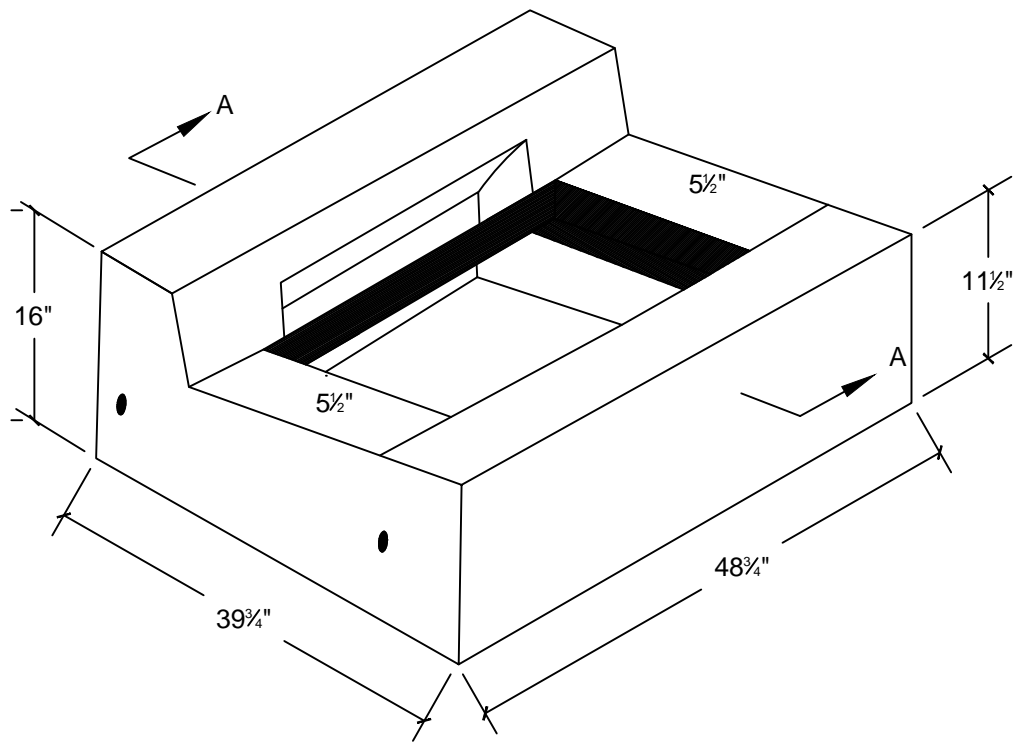



03/05/14	XXX	REV_DESC	LJH	WHR	JML		
REV	DATE	DES	REVISION DESCRIPTION		CADD	CHK	RWW

TYPE "C" HAMDEN
 PAINTED OR GALVANIZED
 CONFORMS TO ASTM C913



SECTION A-A

CLASS "F" SELF-CONSOLIDATING CONCRETE
4,000 PSI

 CROMWELL CONCRETE PRODUCTS INC.			
PROJECT			
TITLE "C" HAMDEN TOP			
DESIGN	BGR	03/04/14	FILE No.
CADD	LJH	03/04/14	SCALE AS SHOWN
REVIEW			REV. 0
PROJECT No.			
DRAWING: C HAMDEN			