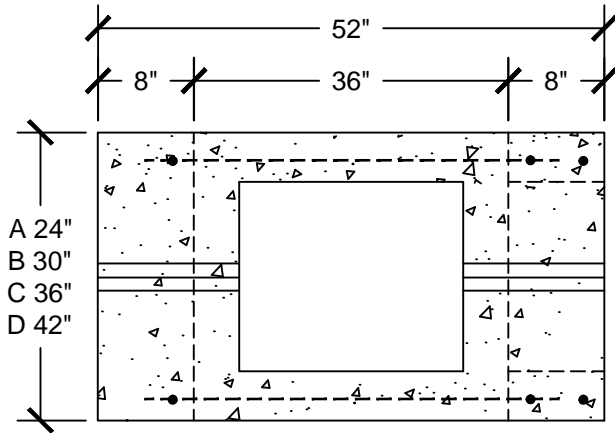
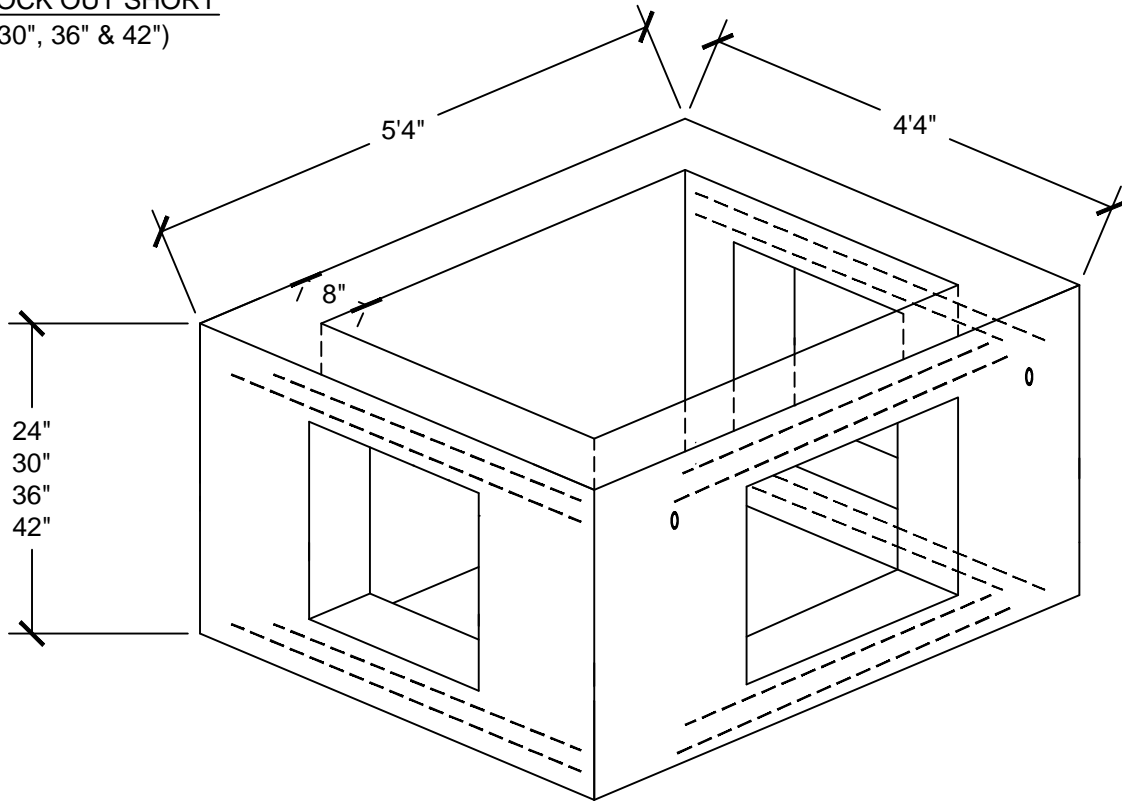


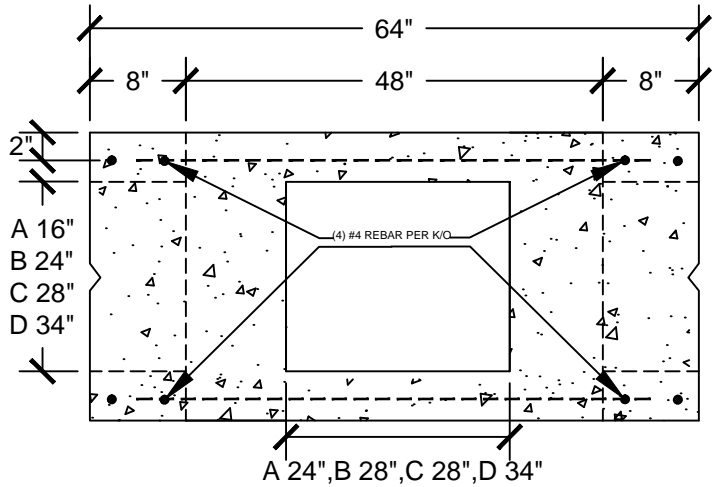
01/07/16	XXX	REV_DESC	MF	WHR	MW
REV	DATE	DES	CADD	CHK	RVW
REVISION DESCRIPTION					

RISER

WITH 1 KNOCK OUT LONG
 2 KNOCK OUT SHORT
 (24", 30", 36" & 42")



SECTION A-A




SECTION B-B

NOTE:

- A = 24" RISER WITH 16"x 24" KNOCK OUTS
- B = 30" RISER WITH 24"x 28" KNOCK OUTS
- C = 36" RISER WITH 28"x 28" KNOCK OUTS
- D = 24" RISER WITH 34"x 34" KNOCK OUTS

**CLASS "FSC" SELF-CONSOLIDATING CONCRETE
 4,000 PSI**



**CROMWELL
 CONCRETE
 PRODUCTS INC.**
 667 Main Street Cromwell CT 06416
 (P) 860.633.5146 (F) 860.633.7469

PROJECT			
TITLE			
RISER W/ 1 KO LONG 2 SHORT			
DESIGN	BGR	01/07/16	FILE No.
CADD	MF	01/07/16	SCALE AS SHOWN
REVIEW	MW	01/07/16	REV. 0
PROJECT No.			
DWG: RISER 1 KO LONG 2 SHORT			