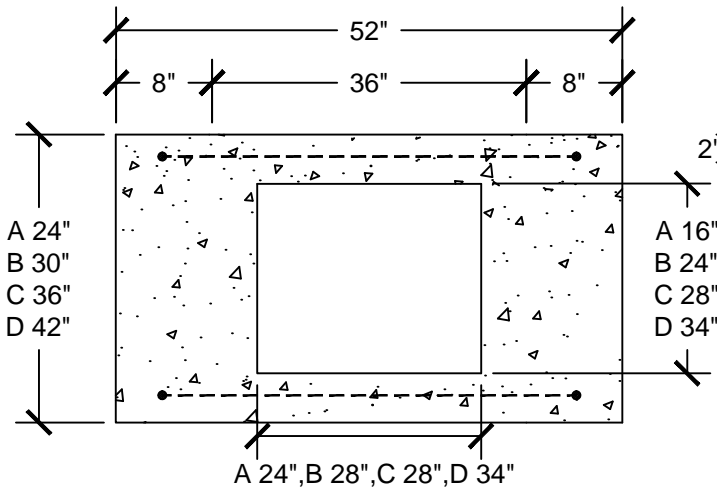
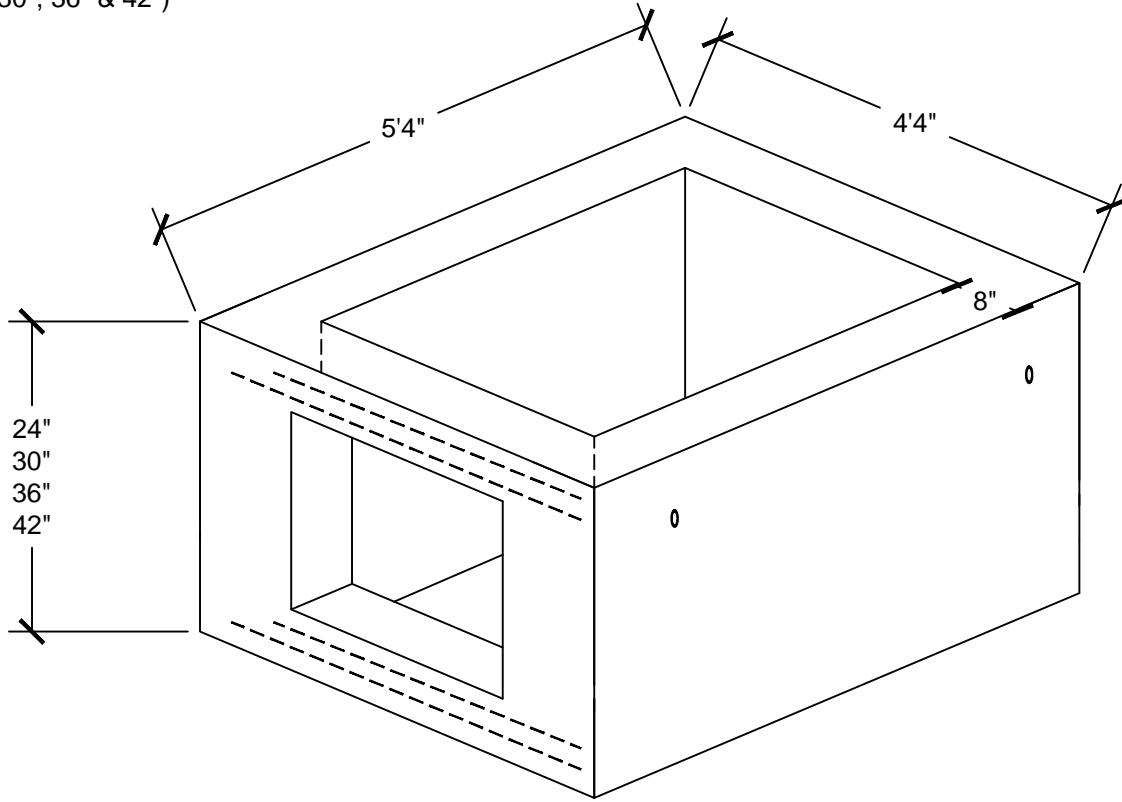


| | | | | | |
|----------------------|------|----------|------|-----|----|
| 01/05/16 | XXX | REV_DESC | MF | WHR | MW |
| REV | DATE | DES | CADD | CHK | RW |
| REVISION DESCRIPTION | | | | | |

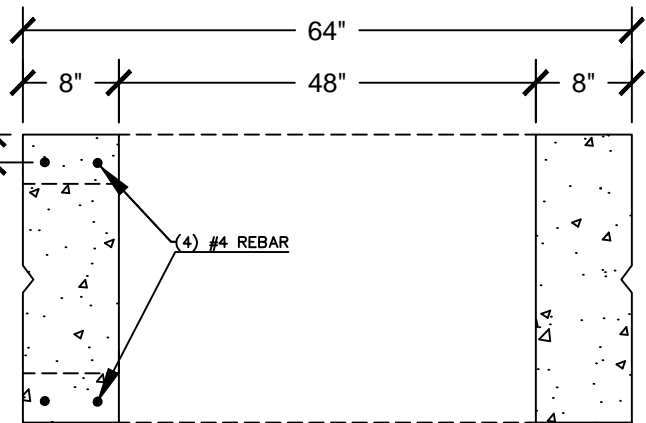
RISER

WITH 1 KNOCK OUT SHORT

(24", 30", 36" & 42")



SECTION A-A




SECTION B-B

NOTE:

- A = 24" RISER WITH 16"x 24" KNOCK OUT
- B = 30" RISER WITH 24"x 28" KNOCK OUT
- C = 36" RISER WITH 28"x 28" KNOCK OUT
- D = 24" RISER WITH 34"x 34" KNOCK OUT

**CLASS "FSC" SELF-CONSOLIDATING CONCRETE
4,000 PSI**



**CROMWELL
CONCRETE
PRODUCTS INC.**
667 Main Street Cromwell CT 06416
(P) 860.633.5146 (F) 860.633.7469

| | | | |
|----------------------------------|-----|----------|----------------|
| PROJECT | | | |
| TITLE | | | |
| RISER W/ 1 KO SHORT | | | |
| DESIGN | BGR | 01/05/16 | FILE No. |
| CADD | MF | 01/05/16 | SCALE AS SHOWN |
| REVIEW | MW | 01/05/16 | REV. 0 |
| PROJECT No. | | | |
| DRAWING: RISER 1 KO SHORT | | | |