

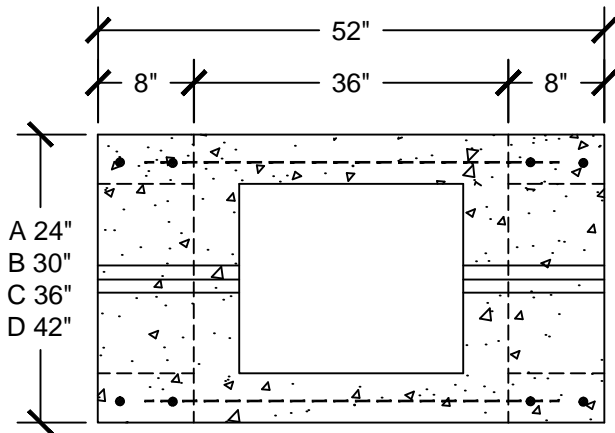
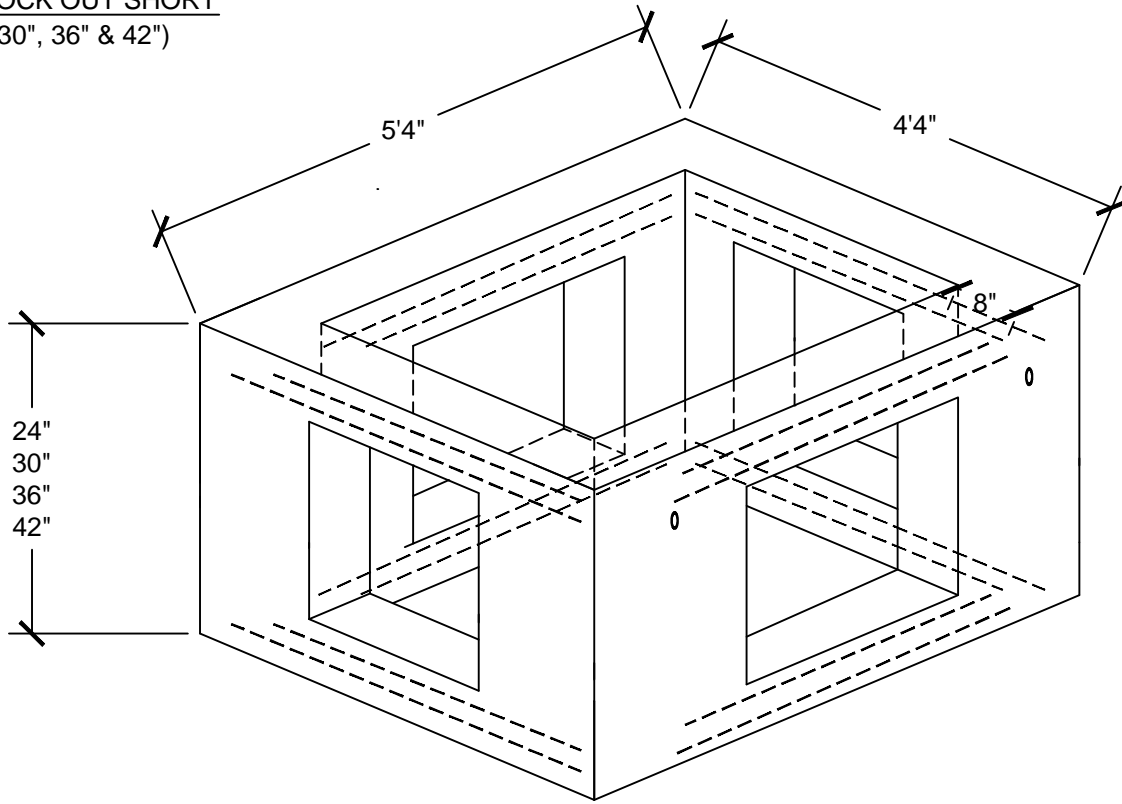
REV	01/06/16	XXX	REV_DESC	MF	WHR	MW
	DATE	DES	REVISION DESCRIPTION	CADD	CHK	RVW

# RISER

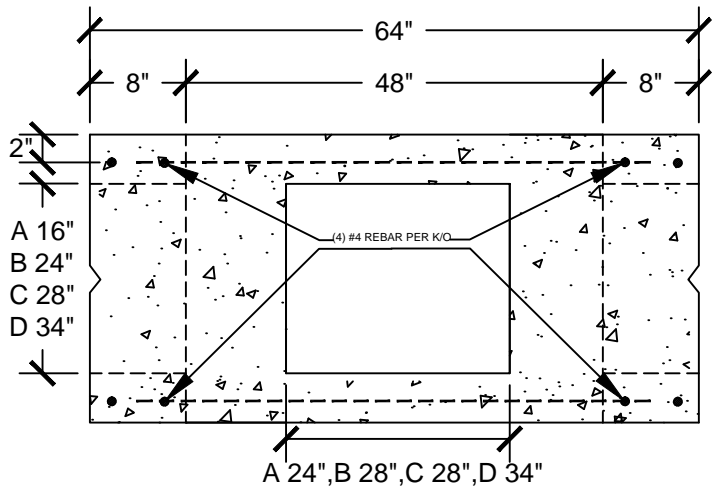
WITH 2 KNOCK OUT LONG

2 KNOCK OUT SHORT

(24", 30", 36" & 42")



SECTION A-A




SECTION B-B

**NOTE:**

- A = 24" RISER WITH 16"x 24" KNOCK OUTS
- B = 30" RISER WITH 24"x 28" KNOCK OUTS
- C = 36" RISER WITH 28"x 28" KNOCK OUTS
- D = 24" RISER WITH 34"x 34" KNOCK OUTS

**CLASS "FSC" SELF-CONSOLIDATING CONCRETE  
4,000 PSI**



**CROMWELL  
CONCRETE  
PRODUCTS INC.**  
667 Main Street Cromwell CT 06416  
(P) 860.633.5146 (F) 860.633.7469

PROJECT

---

TITLE

**RISER W/ 2 KO LONG 2 SHORT**

DESIGN	BGR	01/06/16	FILE No.
CADD	MF	01/06/16	SCALE AS SHOWN
REVIEW	MW	01/06/16	REV. 0
PROJECT No.			

**DWG: RISER 2 KO LONG 2 SHORT**