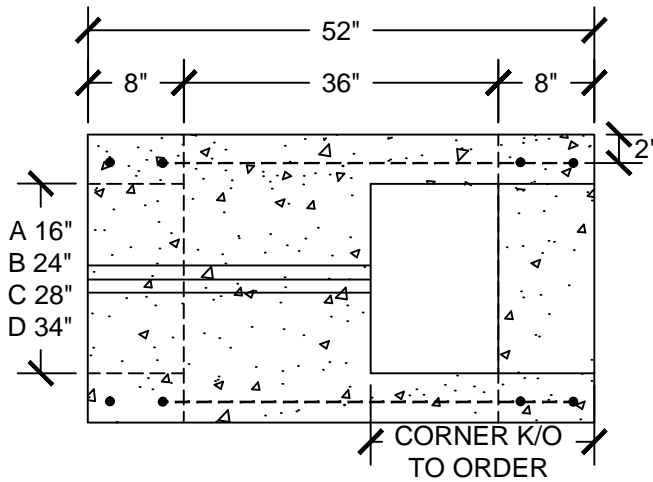
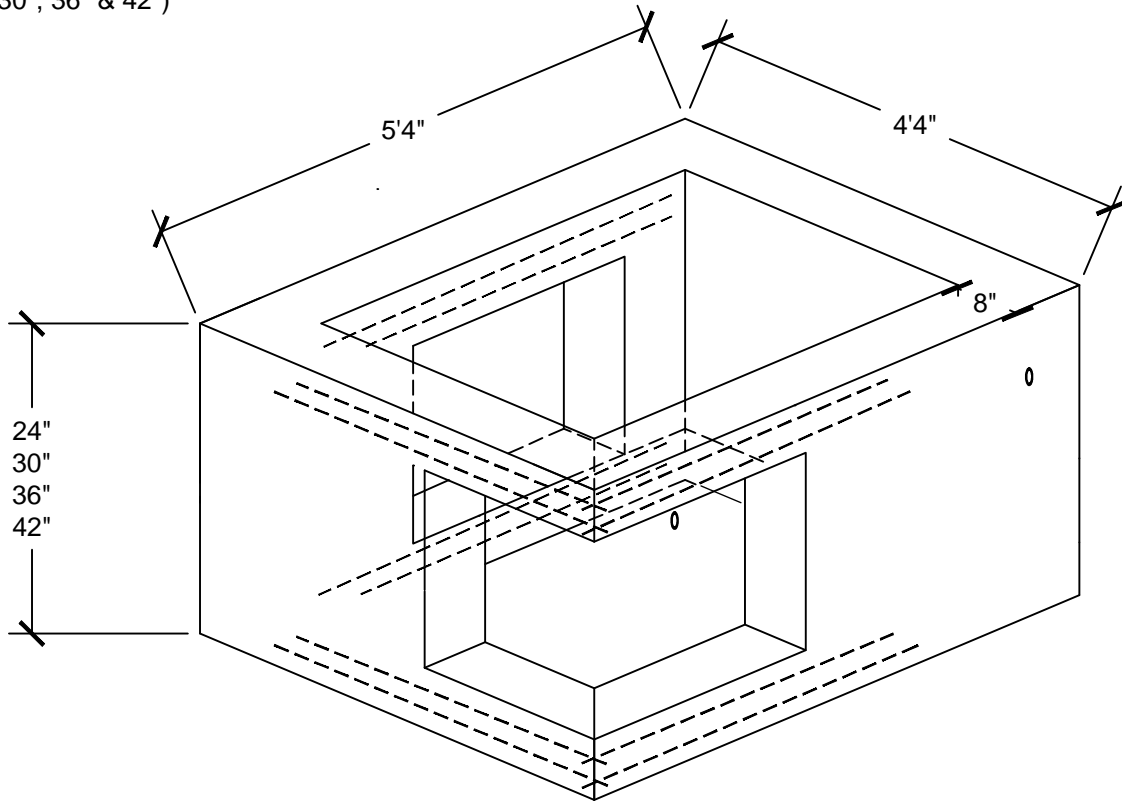


01/08/16	XXX	REV_DESC	MF	WHR	MW
REV	DATE	DES	CADD	CHK	RW
REVISION DESCRIPTION					

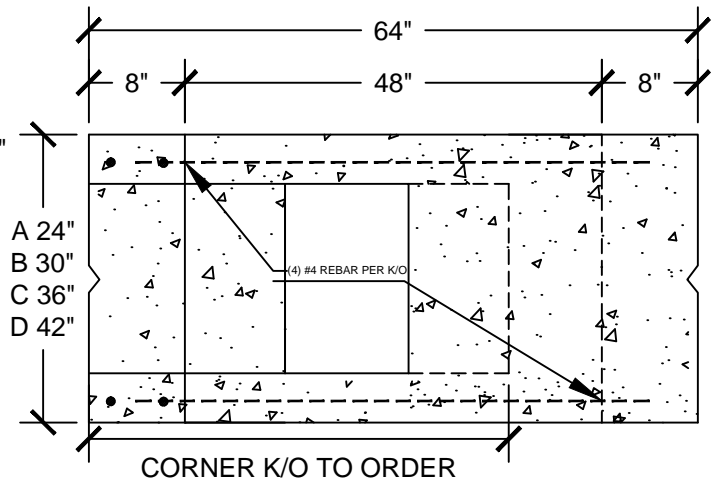
# RISER

WITH VARIOUS KNOCK OUTS

(24", 30", 36" & 42")



SECTION A-A




SECTION B-B

**NOTE:**

- A = 24" RISER WITH 16"x 24" KNOCK OUT
- B = 30" RISER WITH 24"x 28" KNOCK OUT
- C = 36" RISER WITH 28"x 28" KNOCK OUT
- D = 24" RISER WITH 34"x 34" KNOCK OUT
- OTHER CUSTOM KNOCK OUTS TO ORDER

**CLASS "FSC" SELF-CONSOLIDATING CONCRETE  
4,000 PSI**



**CROMWELL  
CONCRETE  
PRODUCTS INC.**  
667 Main Street Cromwell CT 06416  
(P) 860.633.5146 (F) 860.633.7469

PROJECT			
TITLE			
<b>RISER VARIOUS KO'S</b>			
DESIGN	BGR	01/08/16	FILE No.
CADD	MF	01/08/16	SCALE AS SHOWN
REVIEW	MW	01/08/16	REV. 0
PROJECT No.			
<b>DWG: RISER VARIOUS KO'S</b>			