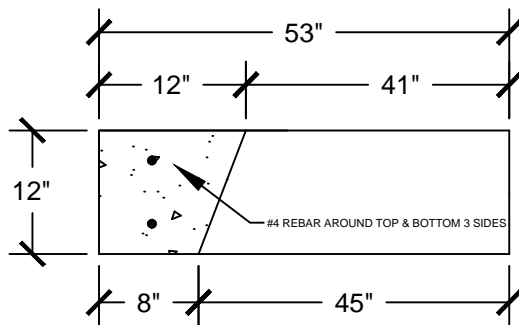
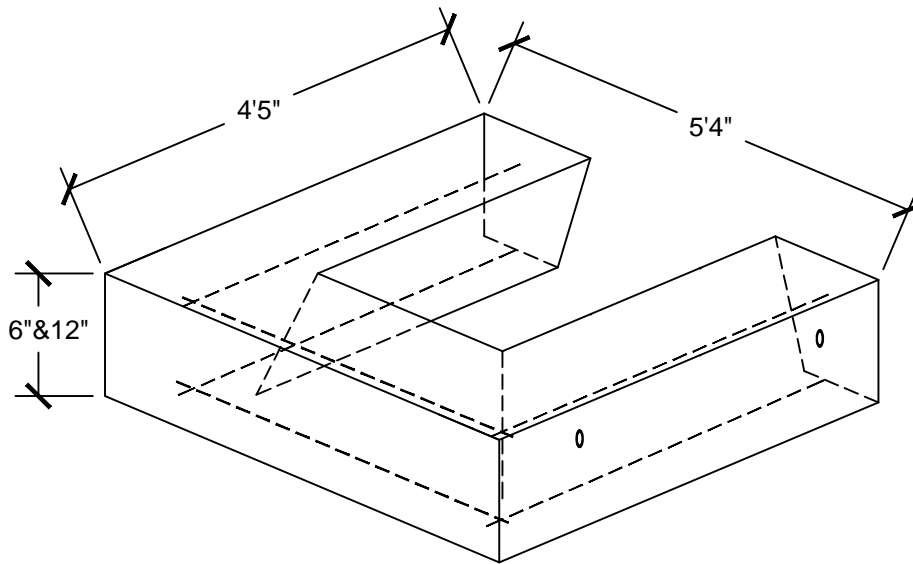


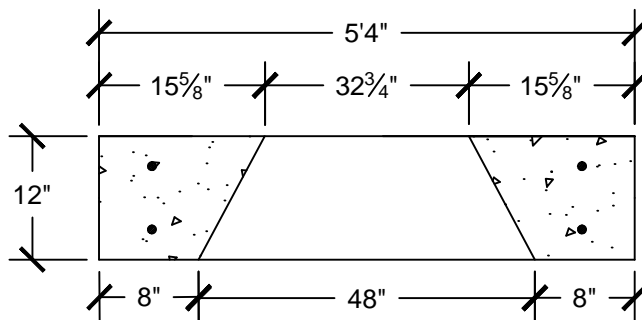
△	01/21/16	XXX	REV_DESC	MF	WHR	MW
REV	DATE	DES	REVISION DESCRIPTION	CADD	CHK	RW

TYPE I CMC ADAPTER -

(6" & 12", SHOWN IN 12")




SECTION B-B



SECTION A-A

**CLASS "FSC" SELF-CONSOLIDATING CONCRETE
4,000 PSI**



**CROMWELL
CONCRETE
PRODUCTS INC.**

PROJECT

TITLE

TYPE I CMC ADAPTER

DESIGN	BGR	01/21/16	FILE No.
CADD	MF	01/21/16	SCALE AS SHOWN
REVIEW	MW	01/21/16	REV. 0
PROJECT No.			

DWG: T1 CMC ADAPTER