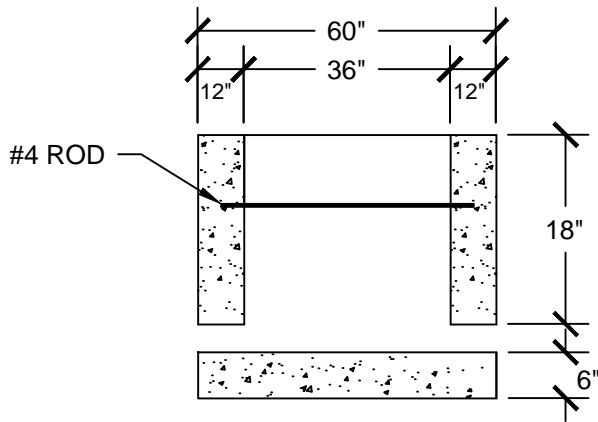
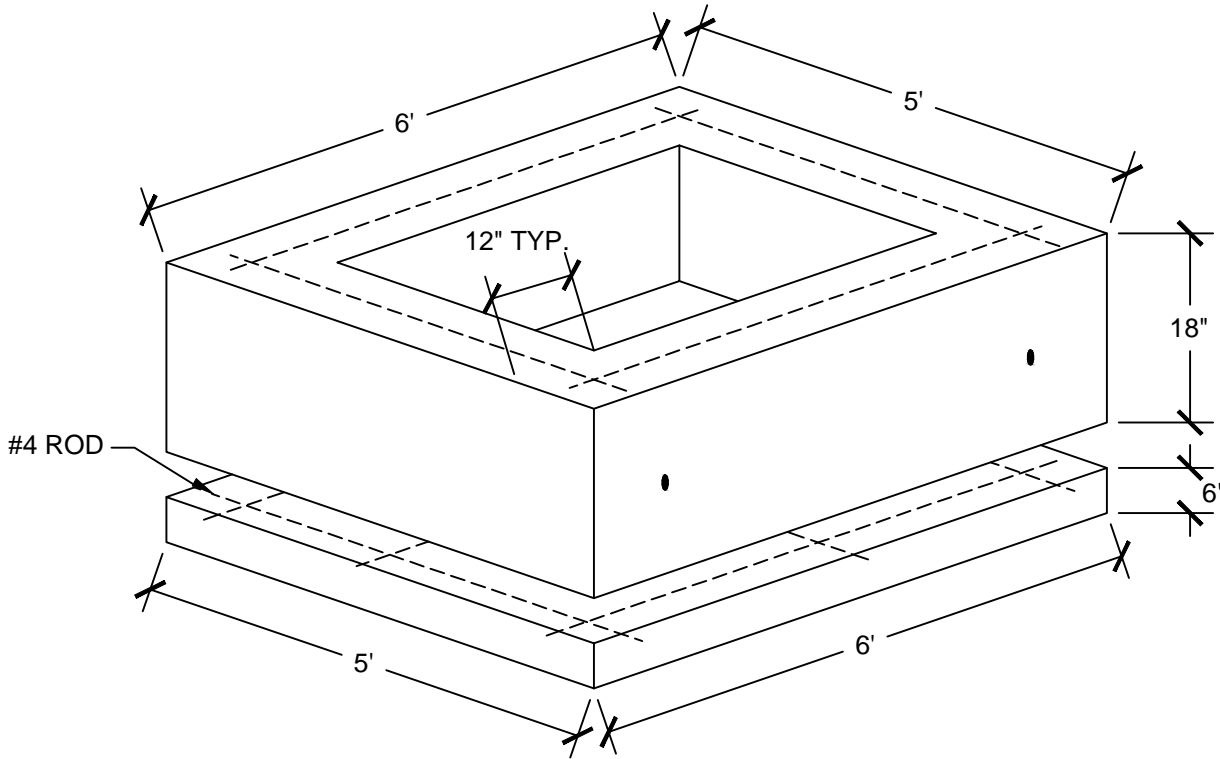
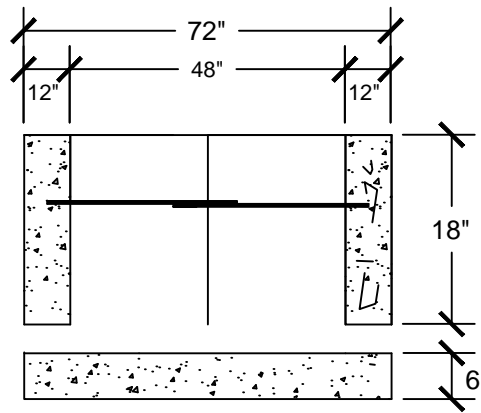


△	12/22/15	XXX	REV_DESC	MF	WHR	JML
REV	DATE	DES	REVISION DESCRIPTION	CADD	CHK	RW

# 12" WALL OVERSIZED SUMP (NON STATE)




SECTION A-A



SECTION B-B

**CLASS "FSC" SELF-CONSOLIDATING CONCRETE  
4,000 PSI**



**CROMWELL  
CONCRETE  
PRODUCTS INC.**  
667 Main Street Cromwell CT 06416  
(P) 860.635.5146 (F) 860.635.7469

PROJECT					
TITLE <b>12" WALL OVERSIZED SUMP</b>					
DESIGN	BGR	01/23/14	FILE No.		
CADD	PJK	06/02/14	SCALE	AS SHOWN	
REVIEW	MF	12/22/15	REV.	0	
PROJECT No.					
<b>DRAWING: 12" OVERSIZED SUMP</b>					