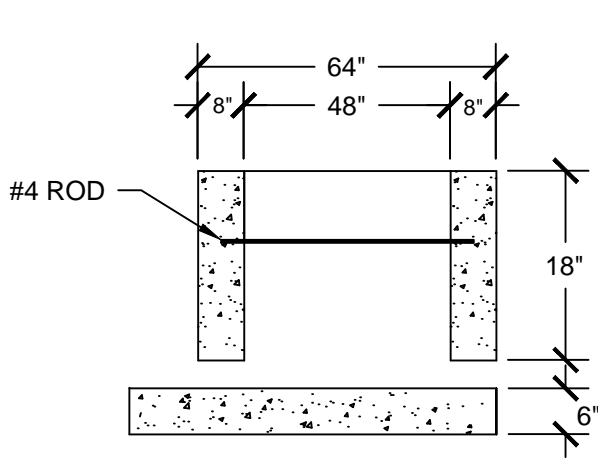
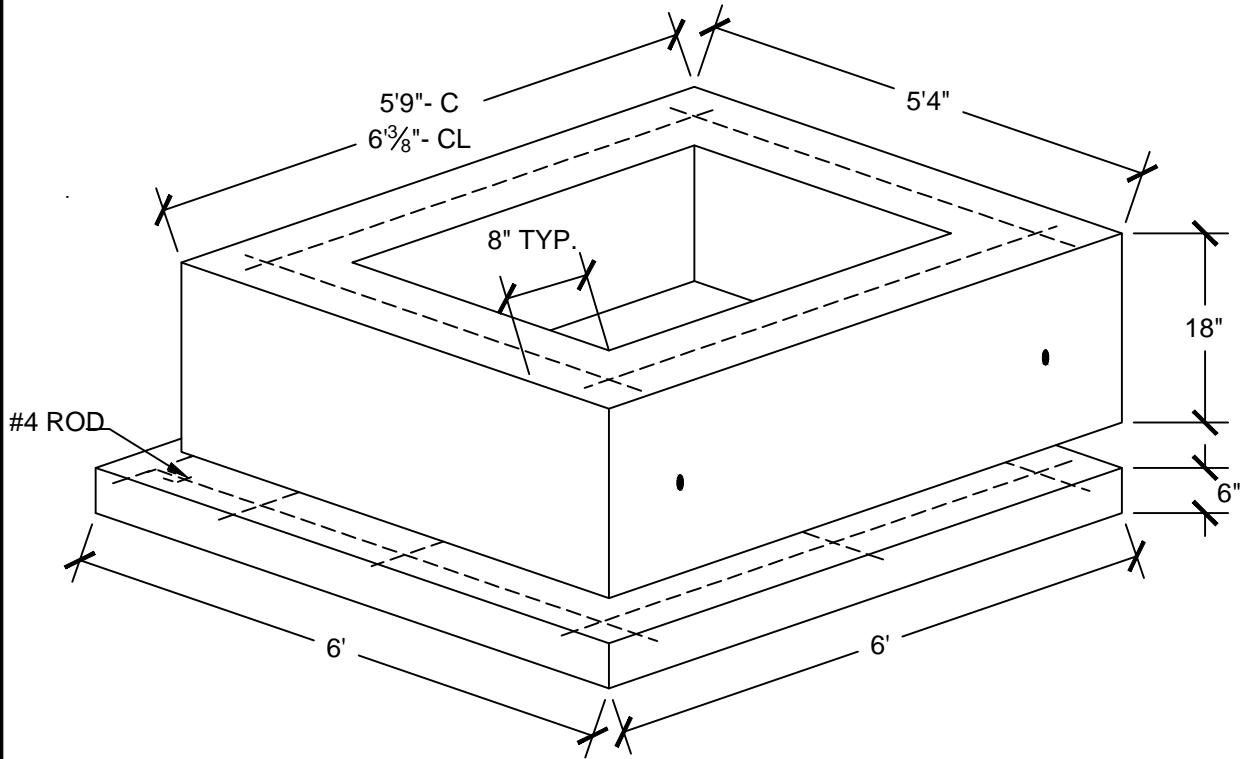
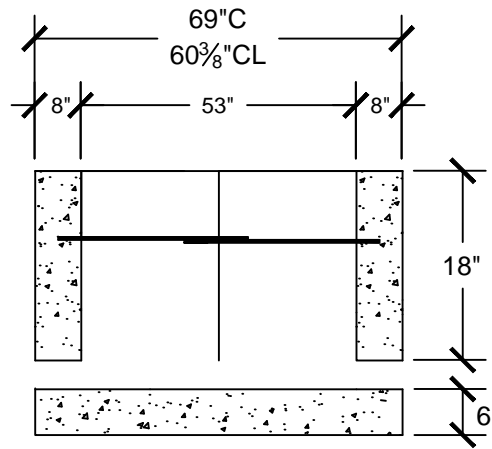


12/22/15	XXX	REV_DESC	MF	WHR	JML	
REV	DATE	DES	REVISION DESCRIPTION	CADD	CHK	RW

TYPE I SUMP
 CURBED OR CURBLESS
 CONFORMS TO ASTM C913



SECTION A-A



SECTION B-B

CLASS "FSC" SELF-CONSOLIDATING CONCRETE
4,000 PSI

PROJECT			
TITLE			
TYPE I SUMP			
DESIGN	BGR	01/23/14	FILE No.
CADD	PJK	06/02/14	SCALE AS SHOWN
REVIEW	MF	12/23/15	REV. 0
PROJECT No.			
DRAWING: TYPE I SUMP			