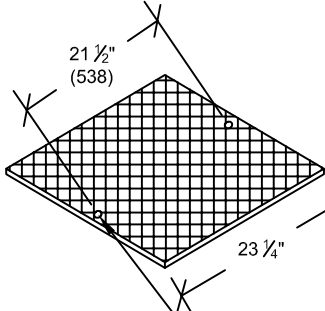


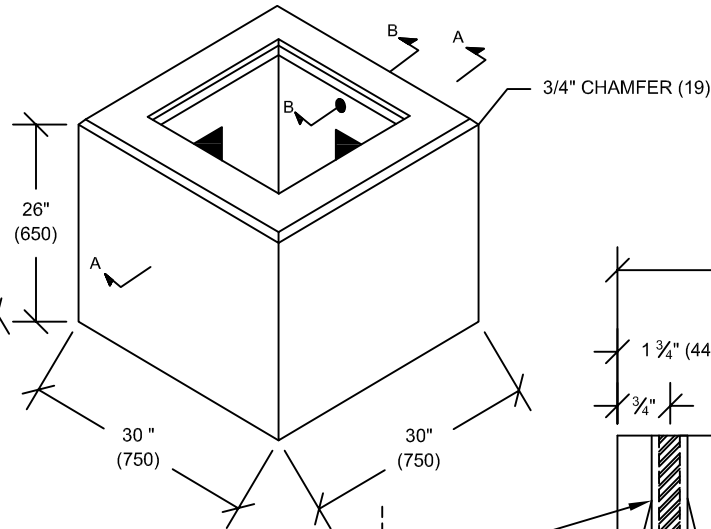
11/18/13	XXX	REV_DESC	LJH	WHR	JML	
REV	DATE	DES	REVISION DESCRIPTION	CADD	CHK	RWV

**TYPE I MODIFIED HANDHOLE**  
**30X30X26 HIGH**  
**(750)X(750)X(650)**  
**1129 LBS**

SUPPLIED BY CCP  $\frac{3}{8}$ " THICK  
DIAMOND PLATE COVER (GALV)

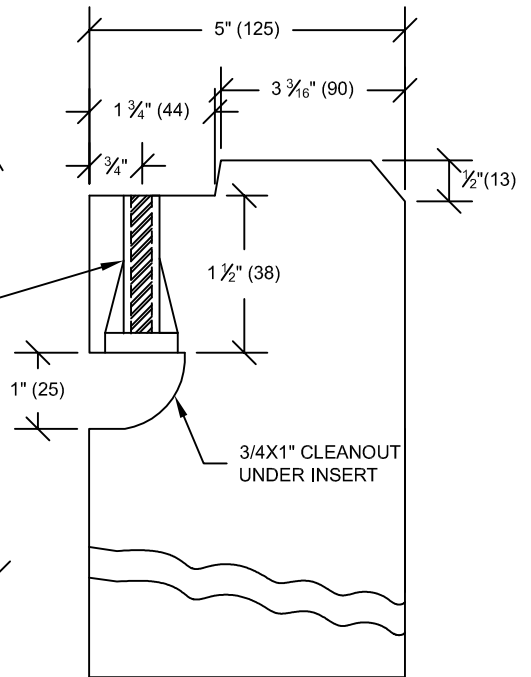


1/2" DIA. HOLE COUNTERSUNK  
FOR 1" LONG 3/8-16  
FLAT HEAD SCREW ST.STL.

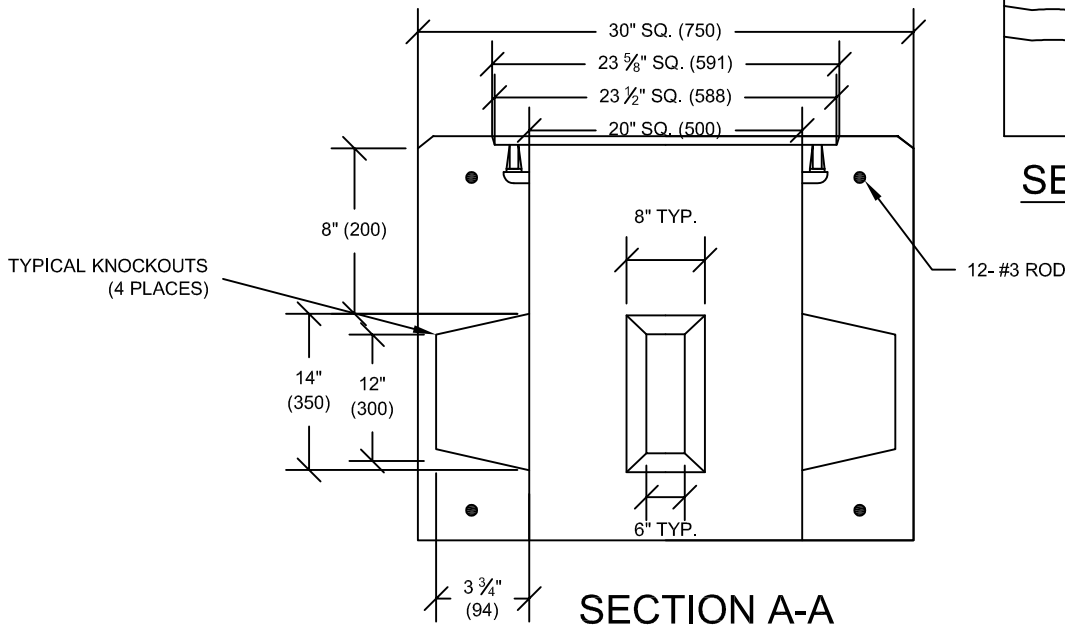


3/8-16 THREADED  
ANCHOR INSERT

OPEN BOTTOM



**SECTION B-B**



**SECTION A-A**

**CLASS "F" SELF-CONSOLIDATING CONCRETE**  
**4,000 PSI**

PROJECT			
TITLE			
TYPE I MODIFIED HANDHOLE			
DESIGN	BGR	11/18/13	FILE No.
CADD	TLM	03/21/14	SCALE AS SHOWN
REVIEW			REV. 0
PROJECT No.			
DRAWING: TYPE I MODIFIED HANDHOLE			