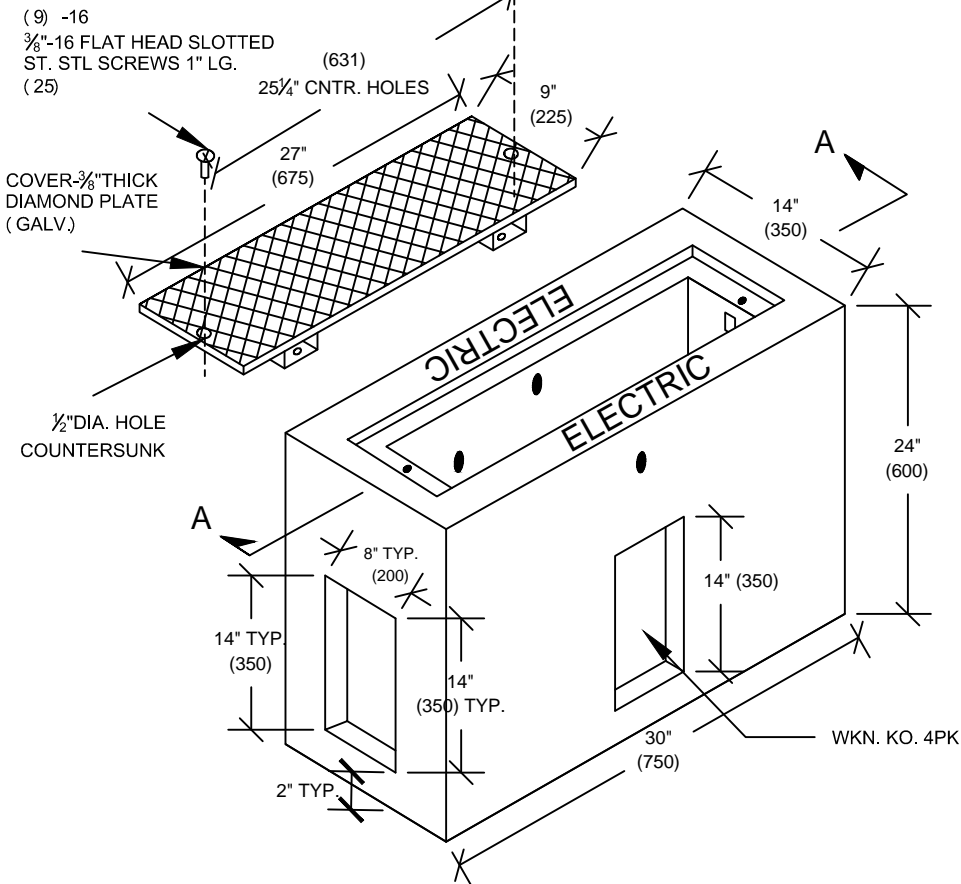


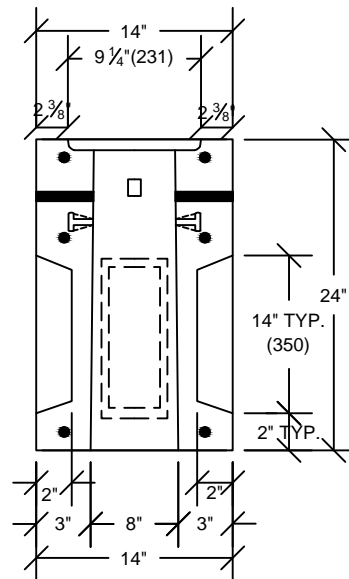
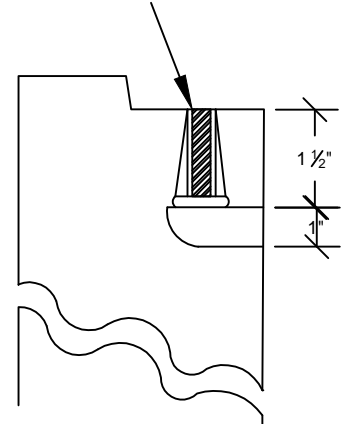
11/18/13	XXX	REV_DESC	LJH	WHR	JML
REV	DATE	DES	REVISION DESCRIPTION		CADD
			CHK	RW	

# TYPE II HANDHOLE WKN. W/ K.O.'S (WITH ELECTRIC)

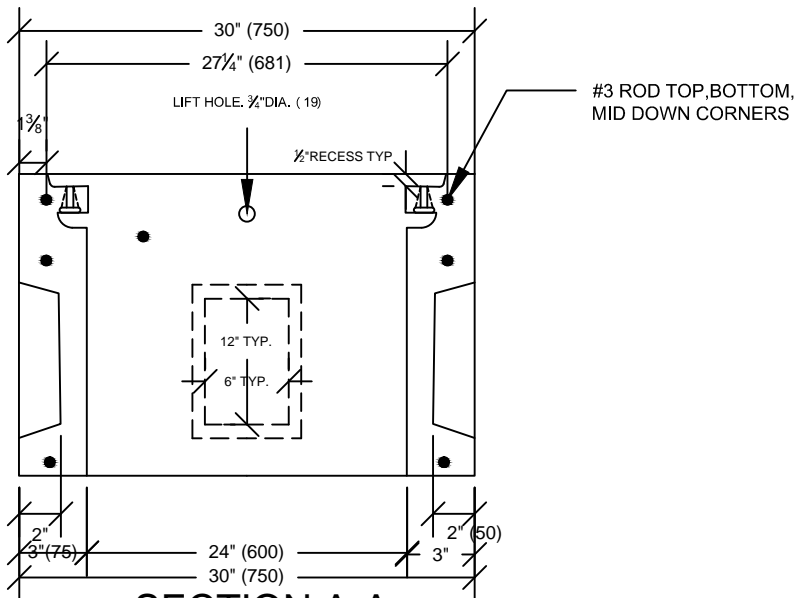
WGT=442LBS.  
COVER=28LBS.  
TOTAL=470LBS.



(9) -16X37  
3/8-16X1 1/2" OPEN  
BOTTOM INSERT  
CLEANOUT-3/4" WIDE X 1" HIGH




**SECTION B-B**



**SECTION A-A**

**CLASS "FSC" SELF-CONSOLIDATING CONCRETE  
4,000 PSI**



**CROMWELL  
CONCRETE  
PRODUCTS INC.**

PROJECT

TITLE  
**TYPE II HANDHOLE WKN. W/KO.  
AND ELECTRIC**

DESIGN	BGR	11/18/13	FILE No.
CADD	LJH	11/18/13	SCALE AS SHOWN
REVIEW	MF	11/19/15	REV. 0

PROJECT No.

**DRAWING: TYPE II HANDHOLE  
ELECTRIC**