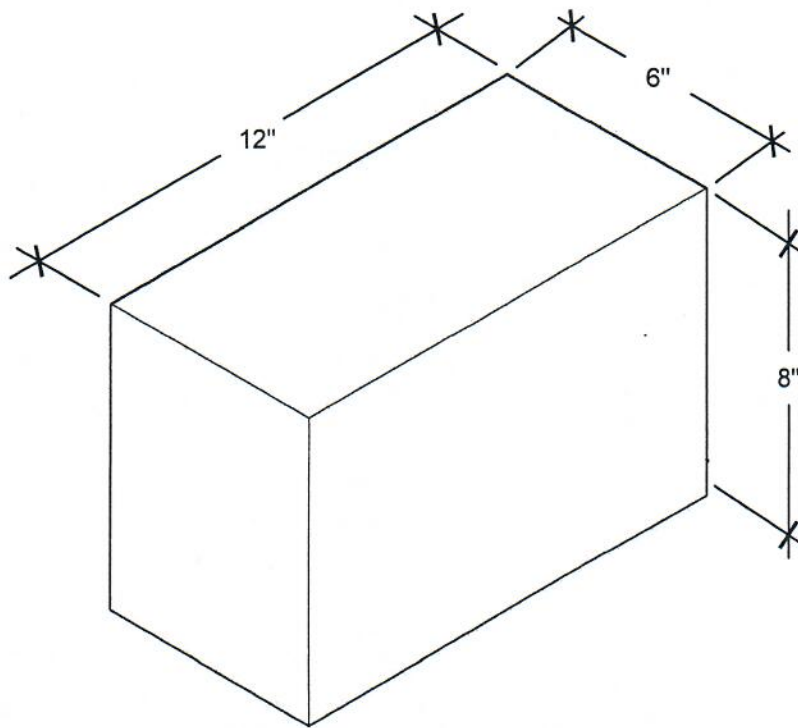


REV	DATE	DES	REV_DESC	CADD	CHK	R/W
	11/18/13	JDK		LJH	WHR	JAL
			REVISION DESCRIPTION			

# 6"x8"x12" Catch Basin Block



**NOTES:**

- WEIGHT:**  
-45 lbs/ea.
- COMPRESSIVE STRENGTH, MIN P.S.I. (AVG. GROSS AREA)**  
-AVG. OF 3 UNITS: 2500  
-INDIVIDUAL UNITS: 2000
- WATER ABSORPTION MAX (LB/FT<sup>3</sup>)**  
-AVG OF 3 UNITS: 10%
- NO DIMENSION SHALL VARY MORE THAN 3 PERCENT OVER OR UNDER THE SPECIFIED DIMENSION FOR ANY FORM OF UNIT
- ASTM C-139-05 EXCEPT THAT THE UNITS SHALL CONFORM TO THE DETAILS SHOWN HEREON AND THAT THEIR THICKNESS SHALL NOT BE LESS THAN 5"

PROJECT			
TITLE <b>6x8x12 CB Block</b>			
DESIGN	BGR	12/20/13	FILE No.
CADD	LJH	12/20/13	SCALE 3"=1'-0"
REVIEW			REV. 0
PROJECT No.			
<b>DRAWING: CMU-6x8x12-CB-BLK</b>			