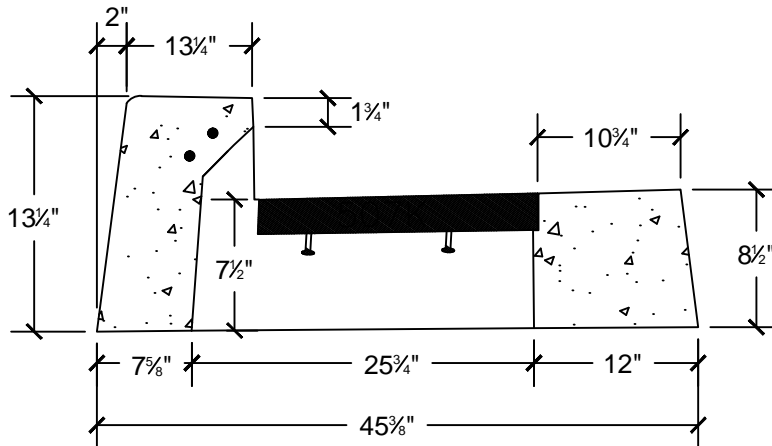
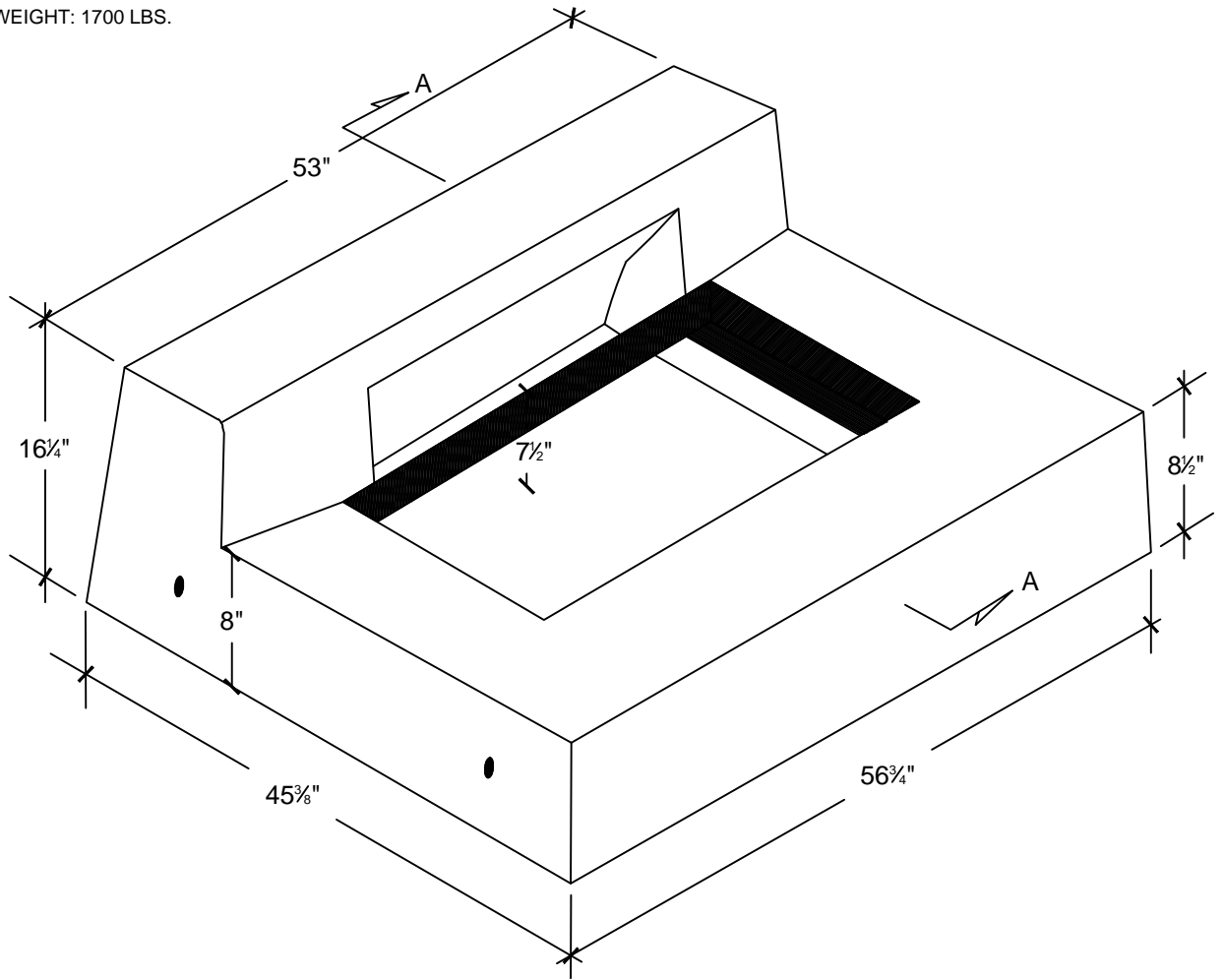


11/18/13	XXX	REV_DESC	LJH	WHR	JML		
REV	DATE	DES	REVISION DESCRIPTION		CADD	CHK	RWW

TYPE "C" WEST HARTFORD TOP

PAINTED OR GALVANIZED
CONFORMS TO ASTM C913

AVAILABLE WITH "DRAINS TO WATERCOURSE"
WEIGHT: 1700 LBS.



VIEW A-A

**CLASS "FSC" SELF-CONSOLIDATING CONCRETE
4,000 PSI**



PROJECT			
TITLE "C" WEST HARTFORD TOP			
DESIGN	BGR	01/21/14	FILE No.
CADD	LJH	01/21/14	SCALE AS SHOWN
REVIEW			REV. 0
PROJECT No.			
DRAWING: WEST HARTFORD TOP			