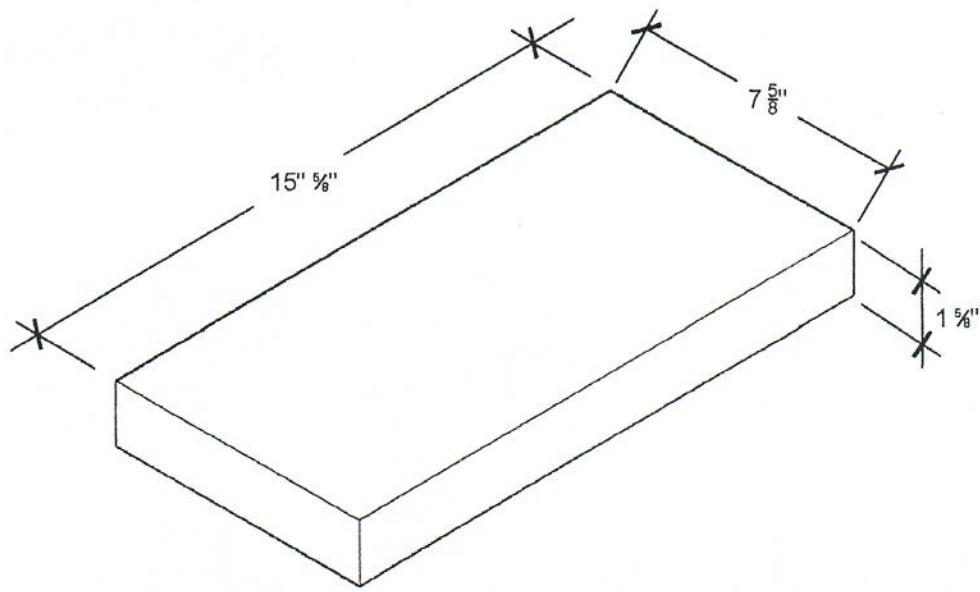



REV	DATE	DES	REV_DESC	LJH	MF	JAL
			REVISION DESCRIPTION	CADD	CHK	RW

2"x8"x16" CMU (PATIO BLOCK)



NOTES:

- **WEIGHT:**
-16 lbs/ea.
- **COMPRESSIVE STRENGTH, MIN P.S.I. (AVG. GROSS AREA)**
-AVG. OF 3 UNITS: 4770
-INDIVIDUAL UNITS: 4810
- **WATER ABSORPTION MAX (LB/FT³)**
-AVG OF 3 UNITS: 10%
- NO DIMENSION SHALL VARY MORE THAN 3 PERCENT OVER OR UNDER THE SPECIFIED DIMENSION FOR ANY FORM OF UNIT
- ASTM C-139-05



**CROMWELL
CONCRETE
PRODUCTS INC.**

PROJECT

TITLE
**2x8x16 CMU
(PATIO BLOCK)**

DESIGN	BCR	12/18/13	FILE No.
CADD	LJH	12/18/13	SCALE 3"=1'-0"
REVIEW			REV. 0

PROJECT No.

DRAWING: CMU - 2x8x16