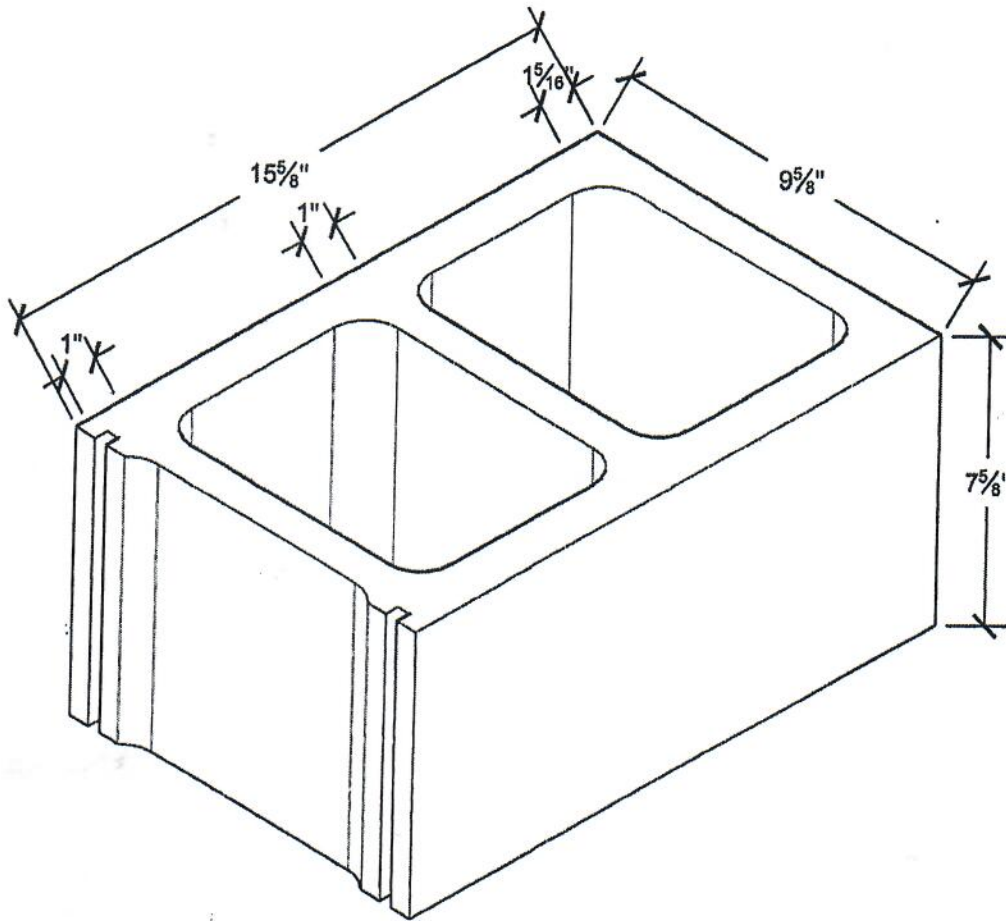


11/18/13	XXX	REV_DESC	LJH	WHR	JML		
REV	DATE	DES	REVISION DESCRIPTION		CADD	CHK	RW

10"x8"x16" Lightweight CMU



MEETS:

- ASTM C-331 FOR LIGHTWEIGHT BLOCK
- ASTM C-90
- 3 HOUR FIRE RATED



PROJECT

TITLE

10x8x16 Lightweight CMU

DESIGN	BGR	12/17/13	FILE No.
--------	-----	----------	----------

CADD	LJH	12/17/13	SCALE 3"=1'-0"
------	-----	----------	----------------

REVIEW	REV. 0
--------	--------

PROJECT No.

DRAWING: CMU-10x8x16-LW