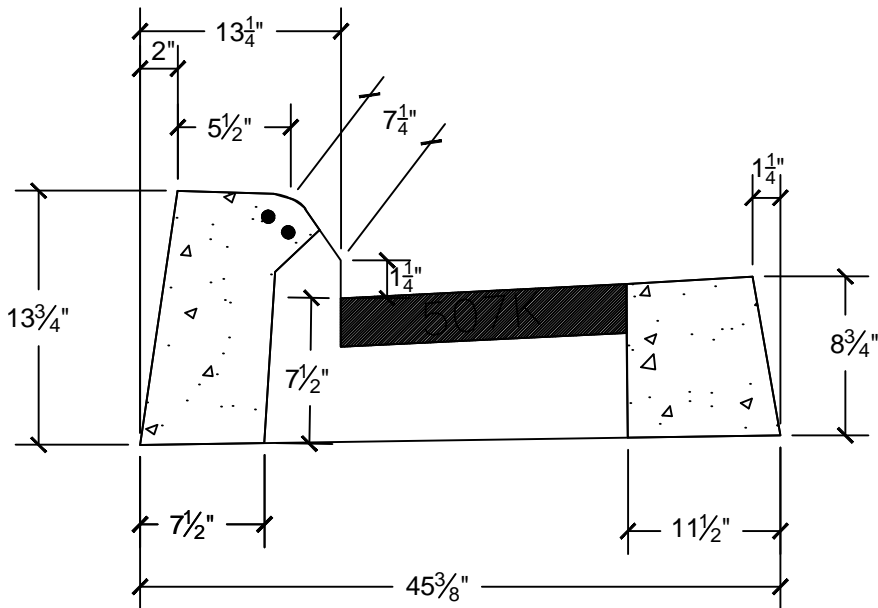
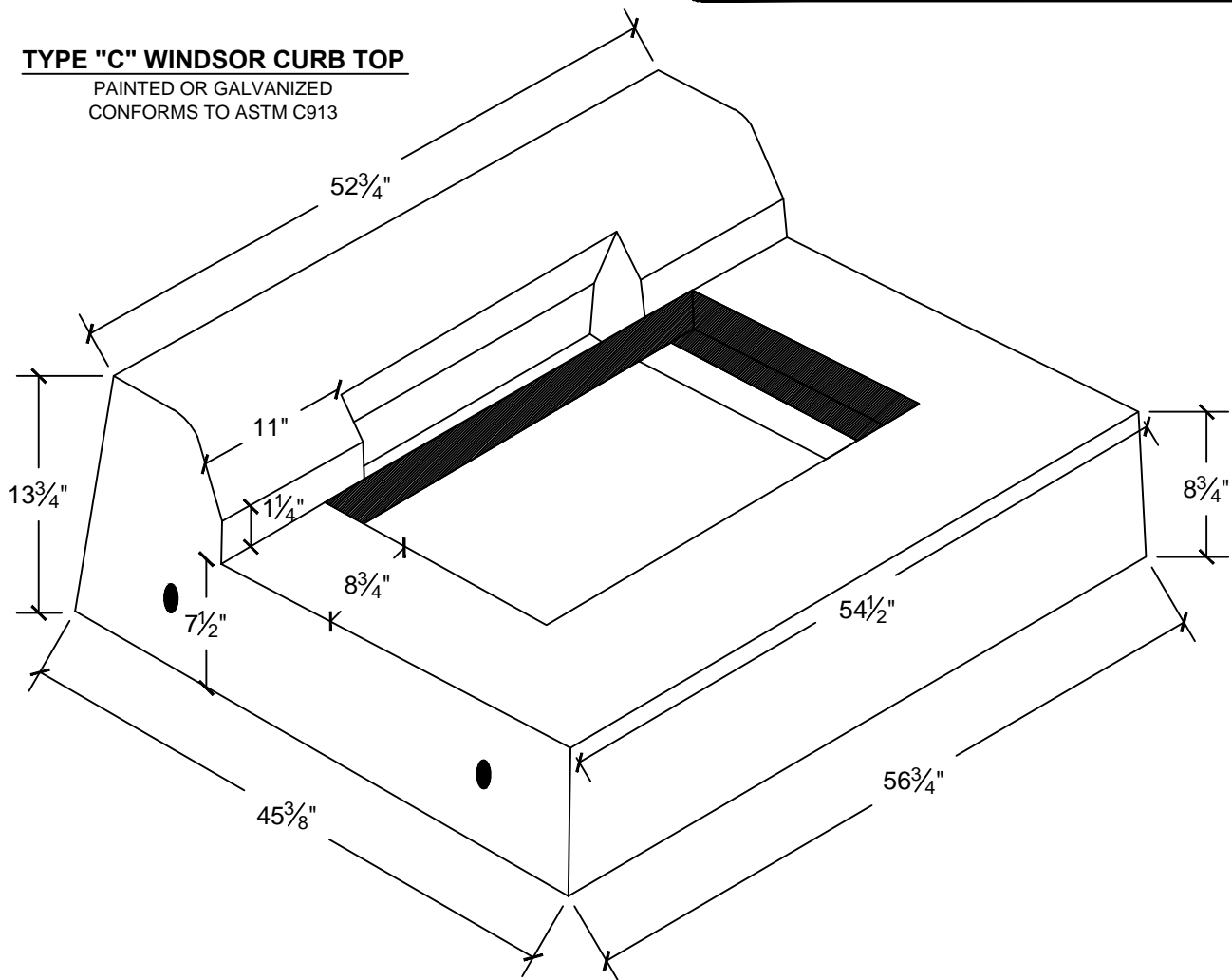



03/06/14	XXX	REV_DESC	LJH	WHR	JML		
REV	DATE	DES	REVISION DESCRIPTION		CADD	CHK	RWW

TYPE "C" WINDSOR CURB TOP

PAINTED OR GALVANIZED
CONFORMS TO ASTM C913



**CLASS "FSC" CONCRETE
4,000 PSI**



**CROMWELL
CONCRETE
PRODUCTS INC.**

PROJECT

TITLE
"C" WINDSOR CURB TOP

DESIGN	BGR	11/18/13	FILE No.
CADD	TLM	03/06/14	SCALE AS SHOWN
REVIEW	MF	04/26/16	REV. 0
PROJECT No.			

DRAWING: C WINDSOR CURB TOP